

# DEWALT®



**Instruction Manual  
Guide D'utilisation  
Manual de instrucciones  
Manual de Instruções**

**DCLE34021, DCLE34022**

**20V MAX\* CROSS LINE LASER**

**LASER À LIGNES CROISÉES 20 V max\***

**LÁSER DE LÍNEA TRANSVERSAL 20 V Máx\***

**[www.DEWALT.com](http://www.DEWALT.com)**

**If you have questions or comments, contact us.  
Pour toute question ou tout commentaire, nous contacter.  
Si tiene dudas o comentarios, contáctenos.**

**1-800-4-DEWALT**

---

English (**original instructions**)

6

---

Français (*traduction de la notice d'instructions originale*)

14

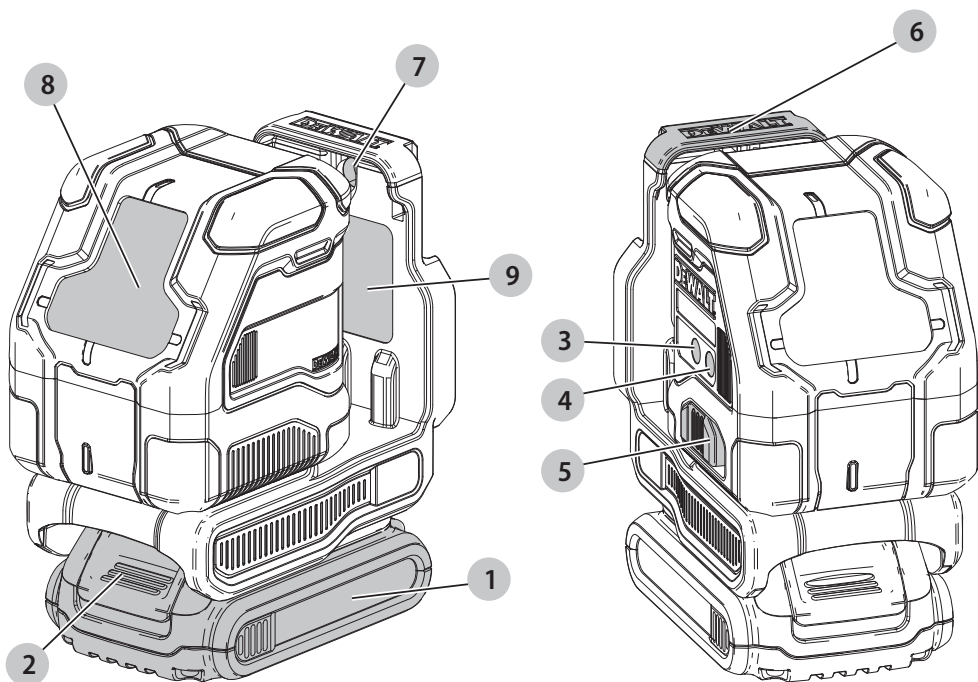
---

Español (*traducido de las instrucciones originales*)

23

---

Fig. A



### Components

- 1 Battery
- 2 Battery release button
- 3 Horizontal laser line on/off button
- 4 Vertical laser line on/off button
- 5 Pendulum locking switch
- 6 Magnetic pivot bracket
- 7 Keyhole slot
- 8 Laser window
- 9 Laser label location

### Composants

- 1 Batterie
- 2 Bouton de déblocage de la batterie
- 3 Ligne laser horizontale bouton marche/arrêt
- 4 Ligne laser verticale bouton marche/arrêt
- 5 Interrupteur de blocage du pendule
- 6 Support pivotant magnétique
- 7 Fente pour trou de serrure
- 8 Fenêtre laser
- 9 Emplacement de l'étiquette du laser

### Componentes

- 1 Batería
- 2 Botón de liberación de batería
- 3 Botón de encendido/apagado de línea láser horizontal
- 4 Botón de encendido/apagado de línea láser vertical
- 5 Interruptor de bloqueo pendular
- 6 Soporte de pivote magnético
- 7 Ranura de cerradura
- 8 Ventana láser
- 9 Ubicación de etiqueta de láser

Fig. B

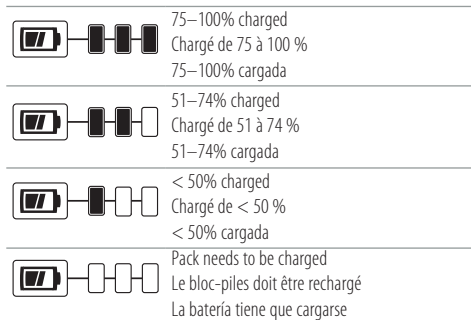


Fig. C

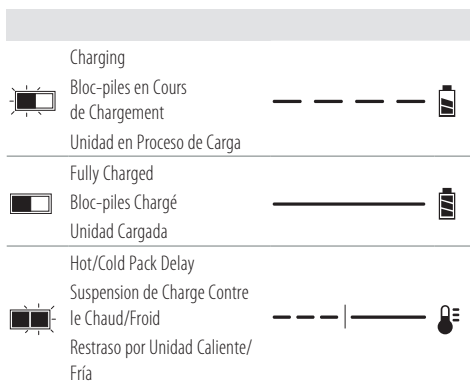


Fig. D

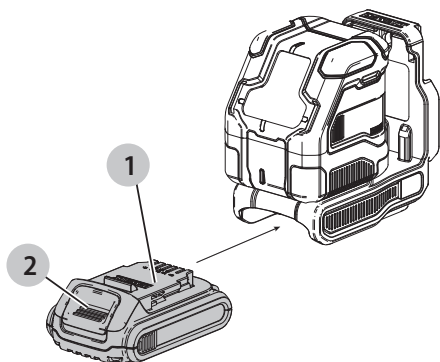


Fig. E

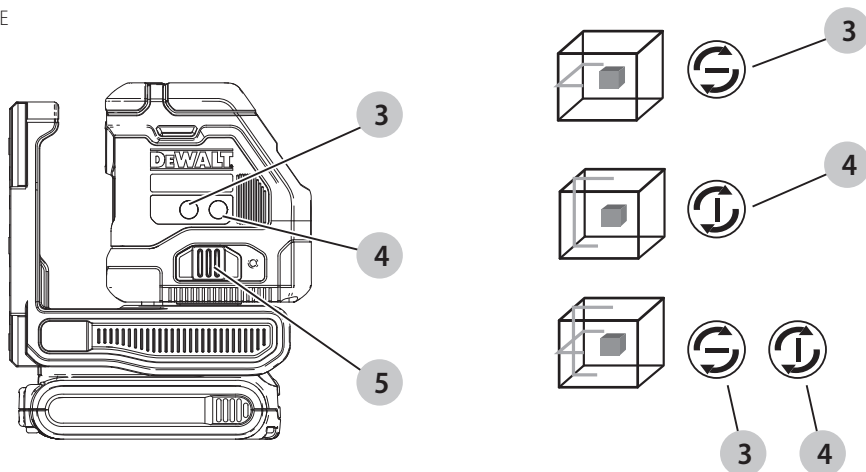


Fig. F

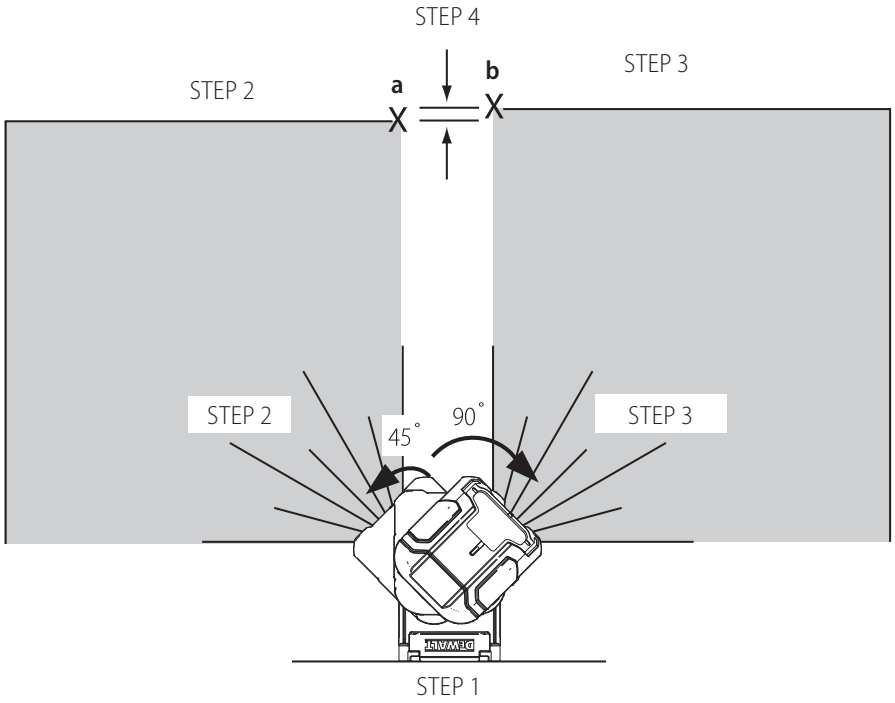


Fig. G

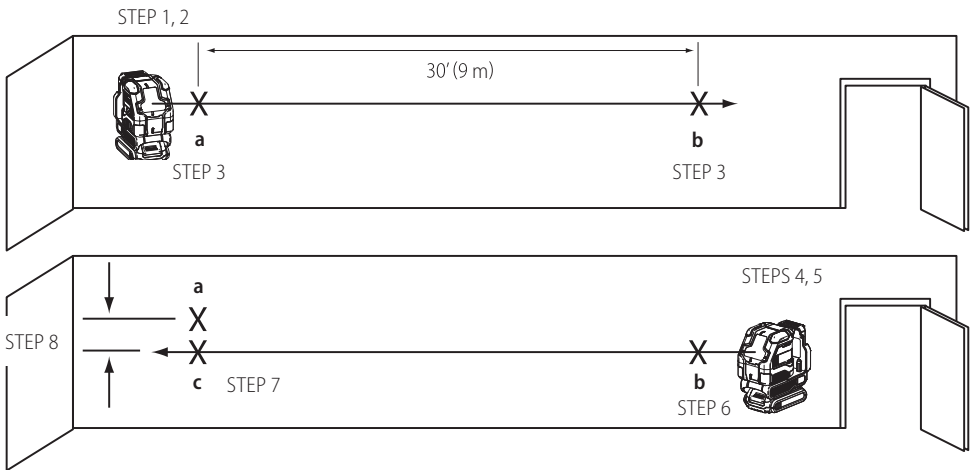


Fig. H

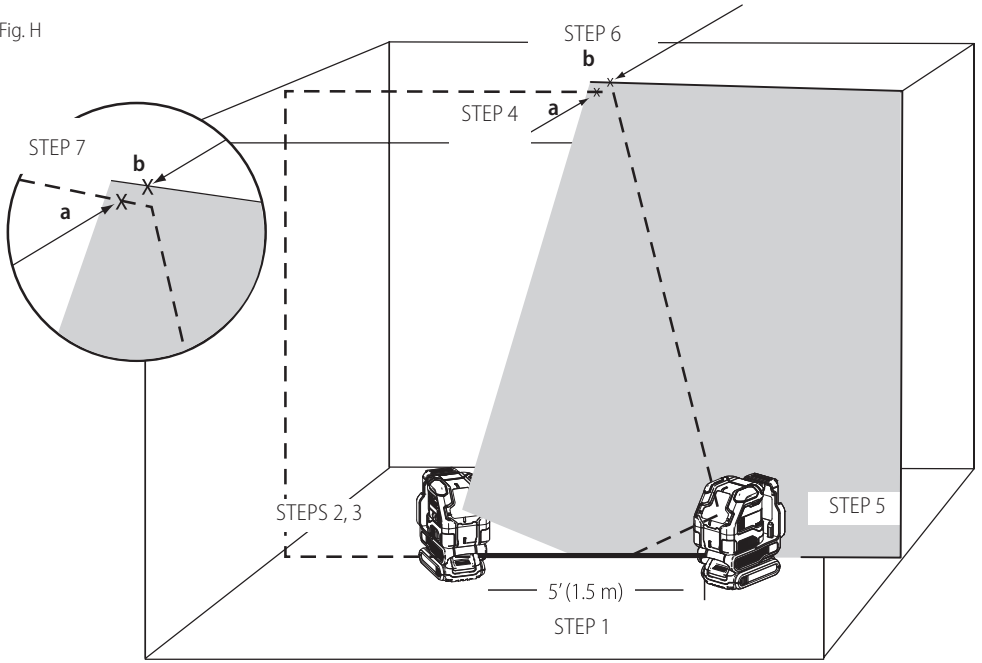


Fig. I

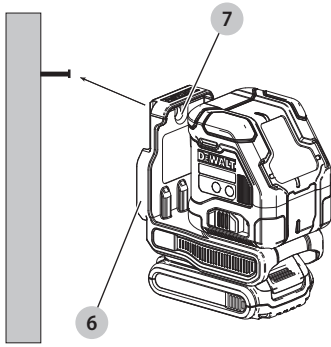


Fig. J

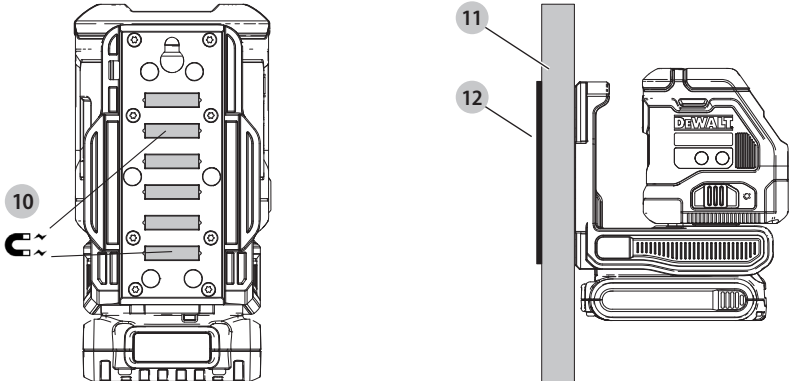


Fig. K

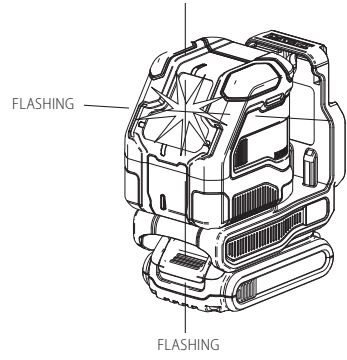
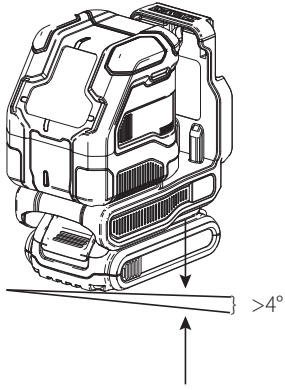


Fig. L

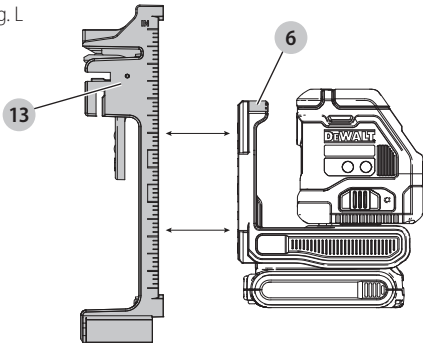


Fig. M

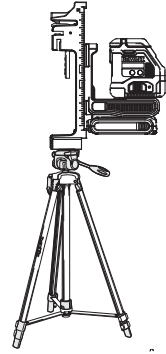


Fig. N

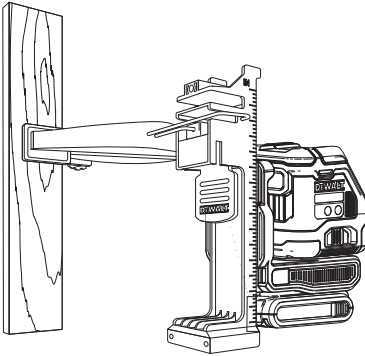
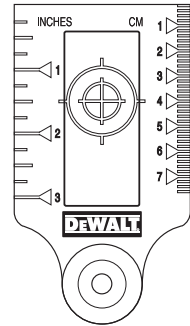


Fig. O





**WARNING: Read all safety warnings and all instructions.** Failure to follow the warnings and instructions may result in electric shock, fire and/or serious injury.



**WARNING:** To reduce the risk of injury, read the instruction manual.

## Contents

- Laser Information
- User Safety
- Batteries
- Operating Tips
- Turning the Laser ON
- Checking Laser Accuracy
- Field Calibration Check
- Using the Laser
- Maintenance
- Troubleshooting
- Accessories
- Service and Repairs
- Warranty
- Specifications

## LASER INFORMATION

The DCLE34021 and DCLE34022 Laser Levels are Class 2 laser products and comply with 21 CFR 1040.10 and 1040.11 except for deviations pursuant to laser notice No. 56, dated May 8, 2019.

The DCLE34021 and DCLE34022 lasers are self-leveling laser tool that can be used inside and outside for horizontal (level), vertical, and plumb alignment projects.

Conforms to UL STDS 61010-1 & 2595

Certified to CSA STD C22.2 No. 61010-1

### Supplier's Declaration of Conformity 47 CFR § 2.1077 Compliance Information

Unique Identifier: DCLE34021, DCLE34022

Responsible Party – U.S. Contact Information

DeWALT

701 East Joppa Road

Towson, Maryland 21286

[www.DeWALT.com](http://www.DeWALT.com)

## FCC Compliance Statement

This equipment has been tested and found to comply with the limits for a Class B digital device, pursuant to Part 15 of the FCC Rules. These limits are designed to provide reasonable protection against harmful interference in a residential installation. This equipment generates, uses and can radiate radio frequency energy and, if not installed and used in accordance with the instructions, may cause harmful interference to radio communications. However, there is no guarantee that interference will not occur in a particular installation. If this equipment does cause harmful interference to radio and television reception, which can be determined by turning the equipment off and on, the user is

encouraged to try to correct the interference by one or more of the following measures:

- Reorient or relocate the receiving antenna.
- Increase the separation between the equipment and receiver.
- Connect the equipment into an outlet on a circuit different from that to which the receiver is connected.
- Consult the dealer or an experienced radio/TV technician for help.

## ISED Compliance Statement

This device contains license-exempt transmitter(s)/receiver(s) that comply with Innovation, Science, and Economic Development Canada's license-exempt RSS(s). Operation is subject to the following two conditions:

1. This device may not cause interference.
2. This device must accept any interference, including interference that may cause undesired operation of the device.

## USER SAFETY

### Definitions: Safety Alert Symbols and Words

This instruction manual uses the following safety alert symbols and words to alert you to hazardous situations and your risk of personal injury or property damage.



**DANGER:** Indicates an imminently hazardous situation which, if not avoided, **will** result in **death or serious injury**.



**WARNING:** Indicates a potentially hazardous situation which, if not avoided, **could** result in **death or serious injury**.



**CAUTION:** Indicates a potentially hazardous situation which, if not avoided, **may** result in **minor or moderate injury**.



(Used without word) Indicates a safety related message.

**NOTICE:** Indicates a practice **not related to personal injury** which, if not avoided, **may** result in **property damage**.

If you have any questions or comments about this or any DeWALT tool, call 1-800-4-DeWALT (1-800-433-9258) or go to [www.DeWALT.com](http://www.DeWALT.com).



**WARNING:** Never modify the tool or any part of it. Damage to the laser or personal injury could result.



**WARNING:** Read and understand all instructions. Failure to follow the warnings and instructions may result in electric shock, fire and/or serious injury.

## SAVE THESE INSTRUCTIONS



**WARNING:** Laser Radiation Exposure. Do not disassemble or modify the laser level. There are no user serviceable parts inside. Serious eye injury could result.



**WARNING:** Hazardous Radiation. Use of controls or adjustments or performance of procedures other

than those specified herein may result in hazardous radiation exposure.




**CAUTION:** Keep fingers clear of the back plate and stud when mounting with magnets. Fingers may become pinched.



**CAUTION:** Do not stand underneath the laser when it is mounted with the magnet bracket. Serious personal injury or damage to the laser may result if the laser falls.

The label on your laser may include the following symbols.

Symbol	Meaning
V	Volts
mW	Milliwatts
	Laser Warning
nm	Wavelength in nanometers
2	Class 2 Laser

## Warning Labels

For your convenience and safety, the following labels are on your laser.



**WARNING:** To reduce the risk of injury, user must read instruction manual.



**WARNING:** LASER RADIATION. DO NOT STARE INTO BEAM. Class 2 Laser Product.



**WARNING:** Keep clear of magnet. Magnet hazard can disturb pacemaker operation and result in serious injury or death.



- If the equipment is used in a manner not specified by the manufacturer, the protection provided by the equipment may be impaired.
- Do not operate the laser in explosive atmospheres, such as in the presence of flammable liquids, gases, or dust. This tool may create sparks which may ignite the dust or fumes.

- Store an idle laser out of reach of children and other untrained persons. Lasers are dangerous in the hands of untrained users.
- Tool service **MUST** be performed by qualified repair personnel. Service or maintenance performed by unqualified personnel may result in injury. To locate your nearest DeWALT service center go to [www.DeWALT.com](http://www.DeWALT.com).
- Do not use optical tools such as a telescope or transit to view the laser beam. Serious eye injury could result.
- Do not place the laser in a position which may cause anyone to intentionally or unintentionally stare into the laser beam. Serious eye injury could result.
- Do not position the laser near a reflective surface which may reflect the laser beam toward anyone's eyes. Serious eye injury could result.
- Turn the laser off when it is not in use. Leaving the laser on increases the risk of staring into the laser beam.
- Do not modify the laser in any way. Modifying the tool may result in hazardous laser radiation exposure.
- Do not operate the laser around children or allow children to operate the laser. Serious eye injury may result.
- Do not remove or deface warning labels. If labels are removed, the user or others may inadvertently expose themselves to radiation.
- Position the laser securely on a level surface. If the laser falls, damage to the laser or serious injury could result.

## Personal Safety

- Stay alert, watch what you are doing, and use common sense when operating the laser. Do not use the laser when you are tired or under the influence of drugs, alcohol, or medication. A moment of inattention while operating the laser may result in serious personal injury.
- Do not overreach. Keep proper footing and balance at all times. Proper footing and balance enables better control of the tool in unexpected situations.
- Use personal protective equipment. Always wear eye protection. Depending on the work conditions, wearing protective equipment such as a dust mask, non-skid safety shoes, hard hat, and hearing protection will reduce personal injury.

## Tool Use and Care

- Do not use the laser if the **Power/Transport Lock** switch does not turn the laser on or off. Any tool that cannot be controlled with the switch is dangerous and must be repaired.
- Follow instructions in the **Maintenance** section of this manual. Use of unauthorized parts or failure to follow **Maintenance** instructions may create a risk of electric shock or injury.
- Use only accessories that are recommended by the manufacturer for your model. Accessories that may be suitable for one laser, may create a risk of injury when used on another laser.

## BATTERIES AND CHARGERS

The battery pack is not fully charged out of the carton. Before using the battery pack and charger, read the safety instructions below and then follow charging procedures outlined. When ordering replacement battery packs, be sure to include the catalog number and voltage.

### READ ALL INSTRUCTIONS

## Important Safety Instructions for All

### Battery Packs



**WARNING:** Read all safety warnings, instructions, and cautionary markings for the battery pack, charger and product. Failure to follow the warnings and instructions may result in electric shock, fire and/or serious injury.

- **Do not charge or use the battery pack in explosive atmospheres, such as in the presence of flammable liquids, gases or dust.** Inserting or removing the battery pack from the charger may ignite the dust or fumes.
- **NEVER force the battery pack into the charger. DO NOT modify the battery pack in any way to fit into a non-compatible charger as battery pack may rupture causing serious personal injury.** Consult the chart at the end of this manual for compatibility of batteries and chargers.
- **Charge the battery packs only in DEWALT chargers.**
- **DO NOT splash or immerse in water or other liquids.**
- **DO NOT allow water or any liquid to enter battery pack.**
- **Do not store or use the tool and battery pack in locations where the temperature may reach or exceed 104 °F (40 °C) (such as outside sheds or metal buildings in summer).** For best life store battery packs in a cool, dry location.  
**NOTE: Do not store the battery packs in a tool with the trigger switch locked on. Never tape the trigger switch in the ON position.**
- **Do not incinerate the battery pack even if it is severely damaged or is completely worn out.** The battery pack can explode in a fire. Toxic fumes and materials are created when lithium-ion battery packs are burned.
- **Do not expose a battery pack or appliance to fire or excessive temperature.** Exposure to fire or temperature above 265 °F (130 °C) may cause explosion.
- **Follow all charging instructions and do not charge the battery pack or appliance outside of the temperature range specified in the instructions.** Charging improperly or at temperatures outside of the specified range may damage the battery and increase the risk of fire.
- **If battery contents come into contact with the skin, immediately wash area with mild soap and water.** If battery liquid gets into the eye, rinse water over the open eye for 15 minutes or until irritation ceases. If medical attention is needed, the battery electrolyte is composed of a mixture of liquid organic carbonates and lithium salts.
- **Contents of opened battery cells may cause respiratory irritation.** Provide fresh air. If symptoms persist, seek medical attention.

- **Battery liquid may be flammable if exposed to spark or flame.**
- **Never attempt to open the battery pack for any reason. If the battery pack case is cracked or damaged, do not insert into the charger.** Do not crush, drop or damage the battery pack. Do not use a battery pack or charger that has received a sharp blow, been dropped, run over or damaged in any way (e.g., pierced with a nail, hit with a hammer, stepped on). Damaged battery packs should be returned to the service center for recycling.

## Storage Recommendations

The best storage place is one that is cool and dry, away from direct sunlight and excess heat or cold. Store the fully charged battery pack out of the charger.

## Battery Pack Cleaning Instructions

Dirt and grease may be removed from the exterior of the battery pack using a cloth or soft non-metallic brush. Do not use water or any cleaning solutions.

## Fuel Gauge Battery Packs (Fig. B)

Some battery packs include a fuel gauge. When the fuel gauge button is pressed and held, the LED lights will indicate the approximate level of charge remaining. This does not indicate tool functionality and is subject to variation based on product components, temperature, and end-user application.

## Transportation



**WARNING: Fire hazard. Do not store, carry, or transport the battery pack so that metal objects can contact exposed battery terminals.** For example, do not place the battery pack in aprons, pockets, tool boxes, product kit boxes, drawers, etc., with loose nails, screws, keys, coins, hand tools, etc. When transporting individual battery packs, make sure that the battery terminals are protected and well insulated from materials that could contact them and cause a short circuit. **NOTE:** Li-ion battery packs should not be put in checked baggage on airplanes and must be properly protected from short circuits if they are in carry-on baggage.

## The RBRC® Seal

Please take your spent battery packs to an authorized DEWALT service center or to your local retailer for recycling. In some areas, it is illegal to place spent battery packs in the trash. You may also contact your local recycling center for information on where to drop off the spent battery pack. Do not place in curbside recycling. For more information visit [www.call2recycle.org](http://www.call2recycle.org) or call the toll free number in the RBRC® Seal.

RBRC® is a registered trademark of Call 2 Recycle, Inc.



## Important Safety Instructions for All

### Battery Chargers



**WARNING:** Read all safety warnings, instructions, and cautionary markings for the battery pack, charger and product. Failure to follow the warnings and instructions may result in electric shock, fire and/or serious injury.

- **DO NOT attempt to charge the battery pack with any chargers other than a DeWALT charger.** DeWALT chargers and battery packs are specifically designed to work together.
- **These chargers are not intended for any uses other than charging DeWALT rechargeable battery packs.** Charging other types of battery packs may cause them to overheat and burst, resulting in personal injury, property damage, fire, electric shock or electrocution.
- **Do not expose the charger to rain or snow.**
- **Do not allow water or any liquid to enter charger.**
- **Pull by the plug rather than the cord when disconnecting the charger.** This will reduce the risk of damage to the electric plug and cord.
- **Make sure that the cord is located so that it will not be stepped on, tripped over or otherwise subjected to damage or stress.**
- **Do not use an extension cord unless it is absolutely necessary.** Use of improper extension cord could result in risk of fire, electric shock or electrocution.
- **When operating a charger outdoors, always provide a dry location and use an extension cord suitable for outdoor use.** Use of a cord suitable for outdoor use reduces the risk of electric shock.
- **An extension cord must have adequate wire size (AWG or American Wire Gauge) for safety.** The smaller the gauge number of the wire, the heavier the cord and thus the greater its capacity. An undersized cord will cause a drop in line voltage resulting in loss of power and overheating. The following table shows the correct size to use depending on total length of all extension cords plugged together, and nameplate ampere rating. If in doubt, use the next heavier gauge.

Minimum Gauge for Cord Sets

Volts		Total Length of Cord in Feet (meters)			
		25 (7.6)	50 (15.2)	100 (30.5)	150 (45.7)
Ampere Rating		American Wire Gauge			
More Than	Not More Than				
0	6	18	16	16	14
6	10	18	16	14	12
10	12	16	16	14	12
12	16	14	12	Not Recommended	

- **Do not place any object on top of the charger or place the charger on a soft surface that might block the ventilation slots and result in excessive internal heat.** Place the charger in a position away from any heat source. The charger is ventilated through slots in the top and the bottom of the housing.

- **Do not operate the charger with a damaged cord or plug.** Have them replaced immediately.
- **Do not operate the charger if it has received a sharp blow, been dropped or otherwise damaged in any way.** Take it to an authorized service center.
- **Do not disassemble the charger; take it to an authorized service center when service or repair is required.** Incorrect reassembly may result in a risk of electric shock, electrocution or fire.
- **The charger is designed to operate on standard 120V household electrical power. Do not attempt to use it on any other voltage.** This does not apply to the vehicular charger.
- **Foreign materials of a conductive nature, such as, but not limited to, grinding dust, metal chips, steel wool, aluminum foil or any buildup of metallic particles should be kept away from the charger cavities and ventilation slots.**
- **Always unplug the charger from the power supply when there is no battery pack in the cavity.**

### Charging a Battery (Fig. C)

1. Plug the charger into an appropriate outlet.
2. Insert and fully seat battery pack **6**. The red charging light(s) will continuously blink while charging.
3. Charging is complete when the red charging light(s) remain(s) continuously ON. Battery pack can be left in charger or removed. Some chargers require the battery pack release button to be pressed for removal.



**WARNING:** Only charge batteries in air temperature over 40 °F (4.5 °C) and below 104 °F (+40 °C).

4. Charger will not charge a faulty battery pack, which may be indicated by the charging light(s) staying OFF. Take charger and battery pack to an authorized service center if light(s) stay(s) OFF.

**NOTE:** Refer to label near charging light(s) on charger for blink patterns. Older chargers may have additional information and/or may not have a yellow indicator light.

**NOTE:** To remove the battery pack, some chargers require the battery pack release button to be pressed.

### Hot/Cold Pack Delay

When the charger detects a battery pack that is too hot or too cold, it automatically starts a Hot/Cold Pack Delay, suspending charging until the battery pack has reached an appropriate temperature. The charger then automatically switches to the pack charging mode. This feature ensures maximum battery pack life.

A cold battery pack may charge at a slower rate than a warm battery pack.

The hot/cold pack delay will be indicated by the red light(s) continuing to blink and with the yellow light continuously ON or blinking. Once the battery pack has reached an appropriate temperature, the yellow light will turn OFF and the charger will resume the charging procedure.

### DCB118 and DCB1112 Chargers

The DCB118 and DCB1112 chargers are equipped with an internal fan designed to cool the battery pack. The fan

will turn on automatically when the battery pack needs to be cooled.

Never operate the charger if the fan does not operate properly or if ventilation slots are blocked. Do not permit foreign objects to enter the interior of the charger.

## Electronic Protection System

Li-Ion tools are designed with an Electronic Protection System that will protect the battery pack against overloading, overheating or deep discharge. The tool will automatically turn off and the battery pack will need to be recharged.

## Important Charging Notes

- Longest life and best performance can be obtained if the battery pack is charged when the air temperature is between 65 °F – 75 °F (18 °C– 24 °C). DO NOT charge when the battery pack is below +40 °F (+4.5 °C), or above +104 °F (+40 °C). This is important and will prevent serious damage to the battery pack.
- The charger and battery pack may become warm to the touch while charging. This is a normal condition, and does not indicate a problem. To facilitate the cooling of the battery pack after use, avoid placing the charger or battery pack in a warm environment such as in a metal shed or an uninsulated trailer.
- If the battery pack does not charge properly:
  - Check operation of receptacle by plugging in a lamp or other appliance;
  - Check to see if receptacle is connected to a light switch which turns power off when you turn out the lights;
  - If charging problems persist, take the tool, battery pack and charger to your local service center.
- You may charge a partially used pack whenever you desire with no adverse effect on the battery pack.

## Charger Cleaning Instructions

**WARNING:** Shock hazard. Disconnect the charger from the AC outlet before cleaning. Dirt and grease may be removed from the exterior of the charger using a cloth or soft non-metallic brush. Do not use water or any

## Wall Mounting

Some DEWALT chargers are designed to be wall mountable or to sit upright on a table or work surface. If wall mounting, locate the charger within reach of an electrical outlet, and away from a corner or other obstructions which may impede air flow. Use the back of the charger as a template for the location of the mounting screws on the wall. Mount the charger securely using drywall screws (purchased separately) at least 1" (25.4 mm) long, with a screw head diameter of 0.28–0.35" (7–9 mm), screwed into wood to an optimal depth leaving approximately 7/32" (5.5 mm) of the screw exposed. Align the slots on the back of the charger with the exposed screws and fully engage them in the slots.

## SAVE THESE INSTRUCTIONS FOR FUTURE USE

*cleaning solutions.*

## Powering the Laser

This laser can be powered by either of these battery packs:

- A **DEWALT 20V MAX\* Li-ion Battery Pack**. \*Maximum initial battery voltage (measured without a workload) is 20 volts. Nominal voltage is 18.

Battery Type	Battery Pack
20V	DCB201, DCB203, DCB203BT, DCB204, DCB204BT, DCB205, DCB205BT, DCB207; DCB230; DCB240; DCBP034

*Use of any other batteries may create a risk of fire.*

## Installing and Removing the Battery Pack (Fig. M)

**WARNING:** Ensure the tool/appliance is in the off position before inserting the battery pack.

**NOTE:** For best results, make sure your battery pack is fully charged.

- To install the battery pack **6** into the tool handle, align the battery pack with the rails inside the tool's handle and slide it into the handle until the battery pack is firmly seated in the tool and ensure that it does not disengage.
- To remove the battery pack from the tool, press the release button **2** and firmly pull the battery pack out of the tool handle. Insert it into the charger as described in the charger section of this manual.

## OPERATING TIPS

- To extend battery life per charge, turn the laser off when it is not in use.
- To ensure the accuracy of your work, check the laser calibration often. **Refer to Checking Laser Accuracy.**
- Before attempting to use the laser, make sure it is positioned securely, on a smooth, flat stable surface that is level in both directions.
- To increase beam visibility, use a Laser Target Card (Figure O)
- CAUTION:** To reduce the risk of serious injury, never stare directly into the laser beam with or without these glasses. Refer to Accessories for important information.
- Always mark the center of the beam created by the laser.
- Extreme temperature changes can cause movement or shifting of building structures, metal tripods, equipment, etc., which can effect accuracy. Check your accuracy often while working.
- If the laser has been dropped, check to make sure your laser is still calibrated. Refer to **Checking Laser Accuracy.**

## Turning the Laser On (Fig. E)

With the laser off, place it on a flat surface. This model has a pendulum locking switch **5** and a keypad to activate the laser beams with two ON/OFF buttons; one for a horizontal laser line **⊖** and one for a vertical laser line **⊕**. Each laser line is powered on by moving the pendulum lock switch to the UNLOCKED/ON position and pressing the required ON/OFF button on the keypad. The laser lines can be powered one at a time or at the same time. Pressing the ON/OFF buttons again turns the laser lines off. The pendulum locking switch

disables the lasers as well as locking the pendulum, and should always be placed in the LOCKED/OFF position when the laser is not in use.

### Checking Laser Accuracy

The laser tools are sealed and calibrated at the factory. It is recommended that you perform an accuracy check **prior to using the laser for the first time** (in case the laser was exposed to extreme temperatures) and then regularly to ensure the accuracy of your work. When performing any of the accuracy checks listed in this manual, follow these guidelines:

- Use the largest area/distance possible, closest to the operating distance. The greater the area/distance, the easier to measure the accuracy of the laser.
- Place the laser on a smooth, flat, stable surface that is level in both directions.
- Mark the center of the laser beam.

### Field Calibration Check

#### Checking Accuracy – Horizontal Beam, Scan Direction (Fig. F)

Checking the horizontal scan calibration of the laser requires two walls at least 30' (9 m) apart. It is important to conduct a calibration check using a distance no shorter than the distance of the applications for which the tool will be used.

1. Attach the laser to a wall using its pivot bracket. Make sure the laser is facing straight ahead.
  2. Turn on the laser's horizontal beam and pivot the laser approximately 45° so that the right-most end of the laser line is striking the opposing wall at a distance of at least 30' (9 m). Mark the center of the beam (a).
  3. Pivot the laser approximately 90° to bring the left-most end of the laser line around to the mark made in Step 2. Mark the center of the beam (b).
  4. Measure the vertical distance between the marks.
- If the measurement is greater than the values shown below, the laser must be serviced at an authorized service center.

Distance Between Walls	Allowable Distance Between Ⓐ and Ⓑ
30'	1/8"
40'	5/32"
50'	7/32"

Distance Between Walls	Allowable Distance Between Ⓐ and Ⓑ
9.0 m	3.1 mm
12.0 m	4.2 mm
15.0 m	5.2 mm

#### Checking Accuracy – Horizontal Beam, Pitch Direction (Fig. G)

Checking the horizontal pitch calibration of the laser requires a single wall at least 30' (9 m) long. It is important to conduct a calibration check using a distance no shorter than the distance of the applications for which the tool will be used.

1. Attach the laser to one end of a wall using its pivot bracket.
  2. Turn on the laser's horizontal beam and pivot the laser toward the opposite end of the wall and approximately parallel to the adjacent wall.
  3. Mark the center of the beam at two locations (a, b) at least 30' (9m) apart.
  4. Reposition the laser to the opposite end of the wall.
  5. Turn on the laser's horizontal beam and pivot the laser back toward the first end of the wall and approximately parallel to the adjacent wall.
  6. Adjust the height of the laser so that the center of the beam is aligned with the nearest mark (b).
  7. Mark the center of the beam (c) directly above or below the farthest mark (a).
  8. Measure the distance between these two marks (a, c).
- If the measurement is greater than the values shown below, the laser must be serviced at an authorized service center.

Distance Between Walls	Allowable Distance Between Ⓐ and Ⓒ
30'	1/4"
40'	5/16"
50'	13/32"

Distance Between Walls	Allowable Distance Between Ⓐ and Ⓒ
9.0 m	6.2 mm
12.0 m	8.3 mm
15.0 m	10.4 mm

#### Checking Accuracy – Vertical Beam (Fig. H)

Checking the vertical (plumb) calibration of the laser can be most accurately done when there is a substantial amount of vertical height available, ideally 20' (6 m), with one person on the floor positioning the laser and another person near a ceiling to mark the position of the beam. It is important to conduct a calibration check using a distance no shorter than the distance of the applications for which the tool will be used.

1. Start by marking a 5' (1.5 m) line on the floor.
2. Turn on the laser's vertical beam and position the unit at one end of the line, facing the line.
3. Adjust the unit so its beam is aligned and centered on the line on the floor.
4. Mark the position of the laser beam on the ceiling (a). Mark the center of the laser beam directly over the midpoint of the line on the floor.
5. Reposition the laser at the other end of the line on the floor. Adjust the unit once again so its beam is aligned and centered on the line on the floor.
6. Mark the position of the laser beam on the ceiling (b), directly beside the first mark (a).
7. Measure the distance between these two marks.

- If the measurement is greater than the values shown below, the laser must be serviced at an authorized service center.

Distance Between Walls	Allowable Distance Between (a) and (b)
8'	1/8"
10'	3/16"
14'	1/4"
20'	3/8"

Distance Between Walls	Allowable Distance Between (a) and (b)
2.5 m	3.4 mm
3.0 m	4.2 mm
4.0 m	5.5 mm
6.0 m	8.2 mm

## Using the Laser

### Leveling the Laser

As long as the laser is properly calibrated, the laser is self-leveling. Each laser is calibrated at the factory to find level as long as it is positioned on a flat surface within average  $\pm 4^\circ$  of level. No manual adjustments are required. If the laser has been tilted so much that it cannot self-level ( $> 4^\circ$ ), the laser beam will flash. There are two flashing sequences associated with the out of level condition.

- Between  $4^\circ$  and  $10^\circ$  the beams flash with a constant blink cycle
- At angles greater than  $10^\circ$  the beams flash with a three blink cycle.

When the beams flash THE LASER IS NOT LEVEL (OR PLUMB) AND SHOULD NOT BE USED FOR DETERMINING OR MARKING LEVEL OR PLUMB. Try repositioning the laser on a more level surface.

### Using the Pivot Bracket (Fig. I, J)

The laser has a magnetic pivot bracket **6** permanently attached to the unit.



**WARNING:** Position the laser and/or wall mount on a stable surface. Serious personal injury or damage to the laser may result if the laser falls.

- The bracket has a keyhole slot **7** so it can be hung from a nail or screw on any kind of surface.
- The bracket has magnets **10** which allow the unit to be mounted to most upright surfaces made of steel or iron. Common examples of suitable surfaces include steel framing studs, steel door frames, and structural steel beams. Before attaching the pivot bracket against a stud **11**, place the Metal Enhancement Plate **12** on the opposite side of the stud.

## Maintenance

- To maintain the accuracy of your work, check the laser often to make sure it is properly calibrated. See Field Calibration Check.
- Calibration checks and other maintenance repairs may be performed by DeWALT service centers.

- When not in use, store the laser in the kit box provided. Do not store your laser at temperatures below  $-5^\circ\text{F}$  ( $-20^\circ\text{C}$  or above  $140^\circ\text{F}$  ( $60^\circ\text{C}$ )).
- Do not store your laser in the kit box if the laser is wet. The laser should be dried first with a soft dry cloth prior to storage.

## Cleaning

Exterior plastic parts may be cleaned with a damp cloth. Although these parts are solvent resistant, NEVER use solvents. Use a soft, dry cloth to remove moisture from the tool before storage.

## Troubleshooting

### The Laser Does Not Turn On

- Fully-charge the battery pack and then reinstall it in the laser unit.
- If the laser unit is heated above  $120^\circ\text{F}$  ( $50^\circ\text{C}$ ), the unit will not turn on. If the laser has been stored in extremely hot temperatures, allow it to cool. The laser level will not be damaged by pressing the on/off button before cooling to its proper operating temperature.

### The Laser Beams Flash (Fig. K)

The lasers are designed to self-level up to an average of  $4^\circ$  in all directions. If the laser is tilted so much that the internal mechanism cannot level itself, the laser beams will flash indicating that the tilt range has been exceeded. THE FLASHING BEAMS CREATED BY THE LASER ARE NOT LEVEL OR PLUMB AND SHOULD NOT BE USED FOR DETERMINING OR MARKING LEVEL OR PLUMB. Try repositioning the laser on a more level surface.

If the laser battery pack has a low state of charge, the beams will flash in a distinctive pattern of 3 quick flashes in 1 second, followed by constant light output for 4 seconds. This flashing pattern indicates that the battery pack should be replaced with a fully charged battery pack.

### The Laser Beams Will Not Stop Moving

The laser is a precision instrument. Therefore, if it is not positioned on a stable (and motionless) surface, the laser will continue to try to find level. If the beam will not stop moving, try placing the laser on a more stable surface. Also, try to make sure that the surface is relatively flat, so that the laser is stable.

## Accessories (Fig. L - N)

Some laser kits are packaged with a drop ceiling bracket **13**. The drop ceiling bracket contains a steel plate and attaches to the magnetized pivot bracket **6** (Fig. L).

The drop ceiling bracket is equipped with both 1/4 - 20 and 5/8 - 11 female threads on the bottom of the unit).

This thread is to accommodate current or future DeWALT accessories. Refer to Figure M and N for examples of accessories sold separately. Only use DeWALT accessories specified for use with this product. Follow the directions included with the accessory.



**WARNING:** Since accessories, other than those offered by DeWALT, have not been tested with this product, use

of such accessories with this tool could be hazardous.  
To reduce the risk of injury, only DeWALT recommended accessories should be used with this product.

If you need any assistance in locating any accessory, please contact your nearest DeWALT service center or go to [www.DeWALT.com](http://www.DeWALT.com).

### Target Card (Fig. O)

Some laser kits include a Laser Target Card to aid in locating and marking the laser beam. The target card enhances the visibility of the laser beam as the beam crosses over the card. The card is marked with standard and metric scales. The laser beam passes through the **green** plastic and reflects off of the reflective tape on the reverse side. The magnet at the top of the card is designed to hold the target card to ceiling track or steel studs to determine plumb and level positions. For best performance when using the Target Card, the DeWALT logo should be facing you.


## Service and Repairs

**NOTE:** Disassembling the laser level(s) will void all warranties on the product.

To assure product SAFETY and RELIABILITY, repairs, maintenance and adjustment should be performed by authorized service centers. Service or maintenance performed by unqualified personnel may result in a risk of injury. To locate your nearest DeWALT service center call 1-800-4-DeWALT (1-800-433-9258) or go to [www.DeWALT.com](http://www.DeWALT.com).

## Warranty

Go to [www.DeWALT.com](http://www.DeWALT.com) for the latest warranty information.

	<b>DCLE34021, DCLE34022</b>
Light Source	Laser diodes
Laser Wavelength	510 – 530nm visible
Laser Power	≤1.50 mW (each beam) CLASS 2 LASER PRODUCT
Working Range	180' (55 m) 330' (100 m) with detector
Accuracy (Plumb)	±1/8" per 30' (±3.1mm per 9 m)
Accuracy (Level)	±1/8" per 30' (±3.1mm per 9 m)
Battery Low	Laser beams flash with 3 quick pulses
Continuous Flashing Laser Beams	Tilt range exceeded/unit is not level
Power Source	DeWALT 20V Battery Pack
Service Temperature	39.2 °F to 104 °F (4 °C to 40 °C)
Storage Temperature	39.2 °F to 104 °F (4 °C to 40 °C)
Humidity	Maximum 80% for temperatures up to 88 °F (31 °C), decreasing linearly to 50% relative humidity at 104 °F (40 °C)
Environmental	Water & Dust Resistant to IP54. Applies to product, not battery or charger.  <b>WARNING:</b> This product (not including the battery pack or charger) has an IP rating which provides some level of protection from dust (limited ingress) and liquids (light splashing) during normal and reasonably foreseeable use. The battery pack and charger do not have an IP rating on their own. NEVER submerge the product, battery or charger in liquid.
Altitude	Up to 6500' (2000m)



**AVERTISSEMENT : lisez tous les avertissements de sécurité et toutes les instructions.** Ne pas suivre les avertissements et les instructions peut entraîner un choc électrique, un incendie et/ou des blessures graves.



**AVERTISSEMENT :** pour réduire le risque de blessure, lisez le guide d'utilisation.

## TABLE DES MATIÈRES

- Renseignements sur le laser
- Sécurité de l'utilisateur
- Piles
- Conseils sur l'utilisation
- Mise en marche du laser
- Vérification de la précision du laser
- Vérification du calibrage sur place
- Utilisation du laser
- Entretien
- Dépannage
- Accessoires
- Entretien et réparations
- Garantie
- Caractéristiques

## Renseignements sur le laser

Le niveau laser DCLE34021 et DCLE34022 est un produit laser de classe 2 conforme aux normes 21 CFR 1040.10 et 1040.11 hormis les écarts en vertu de la notice laser N° 56 en date du 8 mai 2019.

Le laser DCLE34021 et DCLE34022 est un outil laser à correction de niveau automatique qui peut être utilisé à l'intérieur et à l'extérieur pour les projets d'alignement horizontal (niveau), vertical et d'aplomb.

Conforme aux normes UL STDS 61010-1 et 2595

Certifié selon la norme CSA C22.2 No. 61010-1

### Déclaration de conformité du fournisseur 47 CFR § 2,1077 informations de conformité

Identificateur unique: DCLE34021, DCLE34022  
Partie responsable – coordonnées des États-Unis  
DEWALT  
701 East Joppa Road  
Towson, Maryland 21286  
[www.DEWALT.com](http://www.DEWALT.com)

## Déclaration de conformité au FCC

Cet équipement a été testé et est conforme aux limites pour un appareil numérique de classe B selon la section 15 du règlement FCC. Ces limites sont conçues pour offrir une protection raisonnable contre les interférences nuisibles dans une installation résidentielle. Cet équipement génère, utilise et peut irradier de l'énergie radio électrique, et s'il n'est pas installé et utilisé conformément aux instructions, il peut causer des interférences nuisibles aux communications radio. Toutefois, il n'y a aucune garantie selon laquelle l'interférence ne se produira pas dans une installation particulière. Si cet équipement cause des interférences nuisibles à une radio

ou un téléviseur, ce qui peut être déterminé en allumant ou en éteignant l'appareil, on encourage l'utilisateur à tenter de corriger cette interférence par l'une ou plusieurs des mesures suivantes

- Réorientez ou déplacez l'antenne de réception.
- Augmentez la distance entre l'équipement et le récepteur.
- Branchez le matériel dans une prise électrique située sur un circuit différent de celui du récepteur.
- Consultez le fournisseur ou un technicien radio/télé expérimenté pour obtenir de l'aide.

## Déclaration de conformité au ISDE

Cet appareil comprend un ou des transmetteurs/récepteurs sans licence qui sont conformes au RSS sans licence d'Innovation, Sciences et Développement économique Canada. L'utilisation est sujette aux deux conditions suivantes :

1. Cet appareil ne doit pas causer d'interférences.
2. Cet appareil doit accepter toutes les interférences, y compris celles qui pourraient provoquer un fonctionnement non souhaitable de l'appareil.

## Sécurité des utilisateurs

### Définitions : symboles et termes d'alarmes sécurité

Ces guides d'utilisation utilisent les symboles et termes d'alarmes sécurité suivants pour vous prévenir de situations dangereuses et de risques de dommages corporels ou matériels.



**DANGER :** indique une situation dangereuse imminente qui, si elle n'est pas évitée, **entraînera la mort ou des blessures graves.**



**AVERTISSEMENT :** indique une situation potentiellement dangereuse qui, si elle n'est pas évitée, **pourrait entraîner la mort ou des blessures graves.**



**ATTENTION :** indique une situation potentiellement dangereuse qui, si elle n'est pas évitée, **pourrait entraîner des blessures légères ou modérées.**



(Si utilisé sans aucun terme) Indique un message propre à la sécurité.

**AVIS :** indique une pratique ne posant **aucun risque de dommages corporels** mais qui par contre, si rien n'est fait pour l'éviter, **pourrait poser des risques de dommages matériels.**

Pour toute question ou tout commentaire au sujet de ce produit ou d'un autre outil DEWALT  
appeler au 1-800-4-DEWALT (1-800-433-9258)  
ou aller sur [www.DEWALT.com](http://www.DEWALT.com).



**AVERTISSEMENT :** ne jamais modifier l'outil ou l'une de ses parties. Cela pourrait endommager le laser ou causer des blessures corporelles.



**AVERTISSEMENT :** lire et assimiler toutes les directives. Le non-respect des avertissements et des directives peut entraîner un choc électrique, un incendie ou une blessure grave.

## CONSERVER CES DIRECTIVES

**AVERTISSEMENT :** exposition au rayonnement laser. Ne pas démonter ou modifier le laser. Aucune pièce à l'intérieur ne peut être réparée par l'utilisateur. Risque de lésions oculaires graves.

**AVERTISSEMENT :** rayonnement dangereux. L'utilisation de commandes ou de réglages non prévus ou encore l'exécution de procédures autres que celles indiquées ici peuvent entraîner une exposition dangereuse aux rayonnements.

**ATTENTION :** tenez vos doigts à l'écart de la plaque arrière et du goujon en installant les aimants. Vous pourriez vous pincer les doigts.

**ATTENTION :** ne vous tenez pas sous le laser lorsqu'il est installé avec le support d'aimant. Un chute du laser peut entraîner des blessures corporelles graves ou endommager le laser.

L'étiquette sur votre niveau laser peut inclure les symboles ci-après indiqués.

Symbole	Sens
V	volts
mW	milliwatts
	Avertissement du niveau laser
nm	Longueur d'onde en nanomètres
2	Laser classe 2

## Étiquettes de mise en garde

Pour plus de commodité et de sécurité, les étiquettes suivantes sont apposées sur votre laser.

**AVERTISSEMENT :** afin d'en réduire le risque de blessure, l'utilisateur doit lire le manuel d'instructions.

**AVERTISSEMENT :** RAYONNEMENT LASER. NE PAS FIXER LE FAISCEAU. Produit laser de classe 2.

**AVERTISSEMENT :** tenez éloigné de l'aimant. Les risques relatifs aux aimants peuvent perturber le fonctionnement d'un stimulateur cardiaque et entraîner une blessure grave ou la mort.



- Si l'équipement est utilisé d'une manière non spécifiée par le fabricant, la protection fournie par l'équipement peut être altérée.
- Ne pas utiliser le laser en atmosphères explosibles, comme en présence de liquides inflammables, de gaz ou de poussière. Cet outil peut créer des étincelles qui peuvent enflammer la poussière ou des vapeurs.
- Entrez le laser inactif hors de portée des entreposez et d'autres personnes non formées. Les lasers sont dangereux entre les mains d'utilisateurs non formés.
- Les réparations de l'outil doivent être effectuées par du personnel en réparation qualifié. Les réparations ou l'entretien effectué par du personnel non qualifié peuvent entraîner une blessure. Pour localiser le centre de services DeWALT le plus près de chez vous, consultez [www.DeWALT.com](http://www.DeWALT.com).
- Ne pas utiliser d'outils optiques comme lunette ou passage pour regarder le faisceau du laser. Cela pourrait entraîner une blessure oculaire grave.
- Ne pas placer le laser dans une position qui pourrait faire en sorte que quelqu'un fixe intentionnellement et non intentionnellement le faisceau du laser. Cela pourrait entraîner une blessure oculaire grave.
- Ne pas placer le laser près d'une surface réfléchissante qui peut réfléchir le faisceau du laser vers les yeux d'une personne. Cela pourrait entraîner une blessure oculaire grave.
- Éteignez le laser lorsque vous ne l'utilisez pas. Laisser le laser en marche augmente le risque de fixer le faisceau du laser.
- Ne pas modifier le laser de quelque manière que ce soit. Modifier l'outil peut entraîner une exposition au rayonnement laser dangereux.
- Ne pas utiliser le laser en présence d'enfants ou permettre aux enfants d'utiliser le laser. Cela peut entraîner une blessure oculaire grave.
- Ne pas retirer ou abîmer les étiquettes d'avertissement. Si les étiquettes sont retirées, l'utilisateur ou d'autres personnes peuvent être exposés par inadvertance au rayonnement.
- Placez le laser de façon sécuritaire sur une surface plane. Si le laser tombe, cela pourrait endommager le laser ou entraîner une blessure grave.

## Sécurité personnelle

- *Demeurez vigilant, regardez ce que vous faites et faites preuve de bon sens lorsque vous utilisez le laser. Ne pas utiliser le laser si vous êtes fatigué ou sous l'influence de drogues, de l'alcool ou de médicaments. Un moment d'inattention pendant que vous utilisez le laser peut entraîner une blessure corporelle grave.*
- *N'en faites pas trop. Gardez une bonne assise et un bon équilibre à tout moment. Une bonne assise et un bon équilibre permettent un meilleur contrôle de l'outil dans des situations inattendues.*
- *Utilisez un équipement de protection individuel. Portez toujours une protection oculaire. Selon les conditions de travail, porter un équipement de protection comme un masque antipoussières, des chaussures de sécurité antidérapantes, un casque de sécurité et une protection auditive réduira la blessure corporelle.*

## Utilisation et entretien de l'outil


- *Ne pas utiliser le laser si le bouton **Alimentation/Verrou de transport** n'allume pas ou n'éteint pas le laser. Tout outil qui ne peut être contrôlé avec le bouton est dangereux et doit être réparé.*
- *Suivez les instructions dans la section **Entretien** de ce manuel. L'utilisation de pièces non autorisées ou ne pas suivre les instructions de la section **Entretien** peut créer un risque de choc électrique ou de blessure.*
- *N'utiliser que les accessoires conseillés par le fabricant pour le modèle de l'outil. Des accessoires qui conviennent à un outil peuvent devenir dangereux lorsqu'ils sont utilisés avec un autre outil.*

## PILES ET CHARGEURS

Le bloc-piles n'est pas entièrement chargé lorsqu'il sort de la boîte. Avant d'utiliser le bloc-piles et le chargeur, lisez attentivement les instructions de sécurité suivantes, puis suivez les procédures de chargement énoncées. Lorsque vous commandez des blocs-piles de remplacement, assurez-vous d'inclure le numéro du catalogue et la tension.

### LISEZ TOUTES LES INSTRUCTIONS

## Consignes de sécurité importantes pour les blocs-piles

-  **AVERTISSEMENT** : lisez toutes les consignes de sécurité, les instructions et les symboles d'avertissements du bloc-piles, du chargeur et du produit. Ne pas suivre les avertissements et les instructions peut entraîner un choc électrique, un incendie et/ou des blessures graves.
- *Ne pas charger ou utiliser le bloc-piles en atmosphères explosibles comme la présence de liquides inflammables, de gaz ou de poussière. Insérer ou retirer la pile du bloc-piles peut enflammer la poussière ou les vapeurs.*
- *Ne JAMAIS forcer le bloc-piles dans le chargeur. NE PAS modifier le bloc-piles de quelque façon que ce soit dans un chargeur non compatible puisque le bloc-piles peut se briser causant une*

*blessure corporelle.* Consultez le tableau à la fin de ce guide pour la compatibilité des blocs-piles et des chargeurs.

- **Chargez les blocs-piles seulement.**
- **NE PAS** élabousser ou immerger dans l'eau ou tout autre liquide.
- **NE PAS** laisser l'eau ou tout liquide entre dans le bloc-piles.
- **Ne pas entreposer ou utiliser l'outil et le bloc-piles dans des endroits où la température peut atteindre ou excéder 40 °C (104 °F) (comme les remises extérieures ou les édifices en métal durant l'été).** Pour une meilleure durée de vie, entreposez le bloc-piles dans un endroit frais et sec.
- **REMARQUE** : **Ne pas ranger les blocs-piles dans un outil avec la gâchette verrouillée. Ne jamais coller la gâchette avec du ruban adhésif en position Marche.**
- **Ne pas brûler le bloc-piles même s'il est gravement endommagé ou est entièrement utilisé.** Le bloc-piles peut exploser au cours d'un incendie. Des vapeurs et des matières toxiques sont produites lorsque les blocs-piles au lithium-ion sont brûlés.
- **Ne pas exposer de bloc-piles ou l'outil aux flammes ou à des températures excessives.** L'exposition aux flammes ou à une température au-dessus de 130 °C (265 °F) pourrait causer une explosion.
- **Suivez les instructions de recharge et ne chargez pas le bloc-piles ou l'appareil en hors de la plage de températures indiquée dans les instructions.** Charger de façon inappropriée ou hors de températures de la plage indiquée peut endommager la pile et augmenter le risque d'incendie.

- **Si le liquide des piles entre en contact avec la peau, lavez immédiatement avec de l'eau et du savon doux.** Si le liquide vient en contact avec les yeux, rincez à l'eau courante durant 15 minutes, ou jusqu'à ce que l'irritation cesse, en gardant les yeux ouverts. Pour information de consultation médicale, l'électrolyte des piles est composé d'un mélange organique liquide et de sels de lithium.
- **Le contenu des piles peut causer une irritation respiratoire.** Faites circuler de l'air frais. Si les symptômes persistent, consultez un médecin.
- **Le liquide des piles peut être inflammable s'il est exposé aux étincelles ou aux flammes.**
- **Ne jamais tenter d'ouvrir le bloc-piles pour quelque raison que ce soit. Si le boîtier du bloc-piles est fendu ou endommagé, ne pas l'insérer dans le chargeur.** Ne pas écraser, échapper ou endommager le bloc-piles. Ne pas se servir d'un bloc-piles ou chargeur qui a subi un impact, a été échappé, renversé par un véhicule ou endommagé d'une façon ou d'une autre (par ex. perforé par un clou, frappé par un marteau, sur lequel on a marché). Les blocs-piles endommagés devraient être amenés/expédiés au centre de service pour recyclage.

## Recommandations d'entreposage

Le meilleur lieu pour l'entreposage est un endroit frais et sec loin de la lumière directe du soleil et de la chaleur ou du

froid excessif. Entreposez le bloc-piles entièrement chargé hors du chargeur.

## Instructions de nettoyage du bloc-piles

La saleté et la graisse peuvent être retirées des surfaces extérieures du bloc-piles à l'aide d'un linge ou d'une brosse souple non métallique. Ne pas utiliser d'eau ou de solution nettoyante.

## Blocs-piles du niveau de la jauge de carburant (Fig. B)

Certains blocs-piles incluent une jauge de carburant. Lorsque vous appuyez et maintenez, les voyants DEL indiqueront le niveau approximatif de charge restante. Cela n'indique pas la fonctionnalité de l'outil et peut varier selon les accessoires utilisés, la température et l'utilisation de l'utilisateur final.

## Transport



**AVERTISSEMENT : danger d'incendie. Ne pas entreposer ou transporter le bloc-piles de manière à ce que des objets métalliques puissent entrer en contact avec les bornes des piles exposées.** Par exemple, ne pas placer le bloc-piles dans des tabliers, des poches, des coffres à outils, des boîtes d'ensembles de produits, des tiroirs, etc. avec des clous, des vis, des clés, les pièces de monnaie, les outils à main, etc.

Lorsque vous transportez des blocs-piles individuels, assurez-vous que leurs bornes sont protégées et bien isolées de tout matériel avec lequel elles pourraient entrer en contact et causer un court-circuit.

**REMARQUE :** Les blocs-piles Li-Ion ne doivent pas être mises dans des bagages enregistrés sur les avions et doivent être bien protégées contre les courts-circuits si elles sont dans des bagages à main.

## Le sceau RBRC<sup>MC</sup>

Veuillez apporter vos blocs-piles usagés à un centre de service agréé DeWALT ou à votre détaillant local pour le recyclage. Dans certaines régions, il est illégal de mettre les blocs-piles usagés à la poubelle. Vous pouvez aussi contacter votre centre de recyclage local pour des informations sur les endroits où déposer le bloc-piles usagé. Ne pas mettre dans la collecte sélective. Pour de plus amples renseignements, visitez [www.call2recycle.org](http://www.call2recycle.org) ou appelez au numéro sans frais dans le sceau RBRC<sup>MC</sup>.

RBRC<sup>MC</sup> est une marque de commerce déposée de Call 2 Recycle, Inc.



## Consignes de sécurité importantes pour tous les chargeurs de piles



**AVERTISSEMENT : lisez toutes les consignes de sécurité, les instructions et les symboles d'avertissements du bloc-piles, du chargeur et du produit. Ne pas suivre les avertissements et les instructions peut entraîner un choc électrique, un incendie et/ou des blessures graves.**

- **NE PAS tenter de charger le bloc-piles avec un chargeur autre qu'un chargeur DeWALT.** Les chargeurs

et les blocs-piles DeWALT sont spécifiquement conçus pour fonctionner ensemble.

- **Ces chargeurs ne sont pas destinés à d'autres utilisations que la charge des blocs-piles rechargeables DeWALT.** Les autres types de chargement de blocs-piles peuvent causer la surchauffe et l'éclatement de ceux-ci, entraînant une blessure corporelle, des dommages matériels, un choc électrique ou une électrocution.
- **Ne pas exposer le chargeur à la pluie ou la neige.**
- **Ne pas laisser l'eau ou tout liquide entrer dans le chargeur.**
- **Tirez la fiche au lieu du cordon lorsque vous débrazchez le chargeur.** Cela réduira le risque d'endommager la fiche et le cordon électriques.
- **Assurez-vous de ne pas placer le cordon là où il pourrait faire trébucher les passants ou être endommagé de quelque façon que ce soit.**
- **Ne pas utiliser une rallonge à moins que ce ne soit absolument nécessaire.** L'utilisation d'une rallonge inadéquate pourrait entraîner un risque d'incendie un choc électrique ou une électrocution.
- **Lors de l'utilisation d'un chargeur à l'extérieur, gardez-le toujours au sec et utilisez une rallonge appropriée pour l'extérieur.** L'utilisation d'une rallonge appropriée pour l'extérieur réduit le risque de choc électrique.
- **Une rallonge doit avoir un calibre de fil (AWG ou calibre américain normalisé des fils) approprié pour la sécurité.** Plus le numéro de calibre du fil est petit, plus le cordon est lourd et par conséquent plus sa capacité est grande. Un cordon de taille inférieure entraînera une chute de tension de secteur ce qui causera une perte de puissance et une surchauffe. Le tableau suivant affiche la bonne taille à utiliser selon longueur totale de toutes les rallonges branchées ensemble et l'intensité nominale de la plaque signalétique. En cas de doute, utilisez le calibre le plus lourd suivant.

### Calibre minimum pour rallonges électriques

Volts	Longueur totale de la rallonge en pieds (mètres)				
	25 (7,6)	50 (15,2)	100 (30,5)	150 (45,7)	
Courant nominal	AWG (American Wire Gauge)				
	Plus de	Pas plus de			
0	6	18	16	16	14
6	10	18	16	14	12
10	12	16	16	14	12
12	16	14	12	Non recommandé	

- **Ne pas placer tout objet sur le dessus du chargeur ou placer le chargeur sur une surface molle qui pourrait bloquer les fentes de ventilation et entraîner une chaleur interne excessive.** Placez le chargeur loin de toute source de chaleur. Le chargeur est ventilé grâce aux fentes du dessus et du bas du boîtier.
- **Ne pas utiliser le chargeur avec un cordon endommagé.** Faites-les remplacer immédiatement.

- **Ne pas utiliser le chargeur s'il a reçu un choc violent, s'il a été échappé ou est autrement endommagé de quelque façon que ce soit.** Apportez-le dans un centre de services autorisé.
- **Ne pas démonter le chargeur; apportez-le dans un centre de services autorisé lorsqu'un entretien ou une réparation est nécessaire.** Un mauvais réassemblage peut entraîner un danger de choc électrique, une électrocution ou un incendie.
- **Le chargeur est conçu pour fonctionner sur une alimentation électrique domestique 120 V. Ne pas essayer de l'utiliser sur toute autre tension.** Cette consigne ne concerne pas le chargeur pour véhicule.
- **Les matières étrangères conductrices telles, mais sans s'y limiter, les poussières de meulage, les copeaux métalliques, la laine d'acier, le papier d'aluminium ou toute accumulation de particules métalliques devraient être éloignées des ouvertures du chargeur et des fentes de ventilation.**
- **Débranchez toujours le chargeur de l'alimentation lorsqu'il n'y a aucun bloc-piles à l'intérieur.**

## Charger une pile (Fig. C)

1. Branchez le chargeur dans une prise appropriée.
2. Insérez et appuyez complètement le bloc-piles **6**. Le(s) voyant(s) de chargement rouge clignotera(ont) de façon continue durant le chargement.
3. Le chargement est terminé lorsque le(s) voyant(s) de chargement rouge demeure(nt) allumé(s) de façon continue. Le bloc-piles peut être laissé dans le chargeur ou retiré. Certains chargeurs nécessitent d'appuyer sur le bouton de libération du bloc-piles pour les retirer.



**AVERTISSEMENT :** chargez seulement le bloc-piles si la température de l'air est au-dessus de 4,5 °C (40 °F) et sous 40 °C (104 °F).

4. Le chargeur ne chargera pas un bloc-piles défectueux, ce qui peut être indiqué par le(s) voyant(s) de chargement qui reste(nt) éteint(s). Apportez le chargeur et le bloc-piles dans un centre de services autorisé si le(s) voyant(s) reste(nt) éteint(s).

**REMARQUE :** Consultez l'étiquette près du (des) voyant(s) de chargement sur le chargeur pour les modèles de clignotement. Les vieux chargeurs peuvent avoir des renseignements supplémentaires et/ou peuvent ne pas avoir un voyant jaune.

**REMARQUE :** Pour retirer le bloc-piles, on doit appuyer sur le bouton de libération du bloc-piles sur certains chargeurs.

## Délai en cas de bloc chaud ou froid

Lorsque le chargeur détecte un bloc-piles qui est trop chaud ou trop froid, il démarre automatiquement le délai pour le bloc chaud/froid, suspendant la recharge jusqu'à ce que la température du bloc-piles ait atteint une température appropriée. Le chargeur passe alors automatiquement en mode de chargement du bloc-piles. Cette fonction assure une durée de vie maximale du bloc-piles.

Un bloc-piles froid peut se charger à une vitesse plus lente qu'un bloc-piles chaud.

Le délai en cas de bloc chaud ou froid sera indiqué par le(s) voyant(s) rouge continuant à clignoter, mais avec le voyant jaune allumé de façon continue. Lorsque le bloc-piles a atteint une température appropriée, le voyant jaune s'éteindra et le chargeur reprendra la procédure de chargement.

## DCB118 et DCB112 Chargers

Les chargeurs DCB118 et DCB112 sont munis d'un ventilateur interne conçu pour refroidir le bloc-piles. Le ventilateur se mettra automatiquement en marche chaque fois que le bloc-piles aura besoin de se refroidir. N'utilisez jamais le chargeur si le ventilateur ne fonctionne pas correctement ou si ses fentes d'aération sont bloquées. Protégez systématiquement l'intérieur du chargeur de tout objet étranger.

## Système de protection électronique

Les outils Li-Ion sont conçus avec un système de protection électronique qui protégera le bloc-piles contre une surcharge, une surchauffe et une importante décharge. L'outil s'éteint automatiquement et le bloc-piles doit être rechargé.

## Remarques importantes sur la charge

1. Pour augmenter la durée de vie du bloc-piles et optimiser son rendement, le recharger à une température ambiante de 18 °C à 24 °C (65 °F à 75 °F). NE PAS charger lorsque le bloc-piles est en dessous de +4,5 °C (+40 °F) ou au-dessus de +40 °C (+104 °F). C'est important pour prévenir tout dommage sérieux au bloc-piles.
2. Le chargeur et le bloc-piles peuvent devenir chauds au toucher durant le chargement. C'est un état normal et cela n'indique pas un problème. Pour faciliter le refroidissement du bloc-piles après l'utilisation, évitez de placer le chargeur ou le bloc-piles dans un environnement chaud comme une remise en métal ou une remorque non isolée.
3. Si le bloc-piles ne charge pas de adéquatement :
  - a. Vérifiez le fonctionnement de la prise en branchant une lampe ou un autre appareil;
  - b. Vérifiez si la prise d'alimentation est connectée à un interrupteur de lumière qui s'éteint lorsque vous éteignez les lumières;
  - c. Si les problèmes de chargement persistent, apportez l'outil, le bloc-piles et le chargeur dans votre centre de services local.
4. Vous pouvez charger un bloc partiellement utilisé au moment désiré sans effet indésirable sur le bloc-piles.

## Instructions de nettoyage du chargeur



**AVERTISSEMENT :** danger de choc électrique. Débranchez le chargeur de la prise CA avant de nettoyer. La saleté et la graisse peuvent être retirées des surfaces extérieures du chargeur à l'aide d'un linge ou d'une brosse souple non métallique. Ne pas utiliser d'eau ou de solution nettoyante.

## Montage mural

Certains chargeurs DEWALT sont conçus pour pouvoir être installés au mur ou être placés verticalement sur une table ou une surface de travail. Pour la fixation au mur, placez le chargeur près d'une prise de courant et loin d'un coin ou d'autres obstructions qui peuvent nuire à la circulation de l'air. Utilisez la base du chargeur comme modèle pour l'emplacement des vis de montage sur le mur. Fixez solidement le chargeur à l'aide de vis pour cloison sèche (achetées séparément) d'au moins 1 po (25,4 mm) de longueur avec tête de diamètre de 0,28 à 0,35 po (7 à 9 mm) vissées dans du bois à une profondeur optimale en laissant exposée une partie de vis d'environ 7/32 po (5,5 mm). Alignez les fentes au dos du chargeur avec les vis exposées et insérez-les entièrement dans les fentes.

### SAVE THESE INSTRUCTIONS FOR FUTURE USE

## Alimentation du niveau laser

Ce niveau laser peut être alimenté par l'un ou l'autre de ces deux blocs-piles :

- Un bloc-piles au lithium-ion 20 V MAX\* de DEWALT. \*La tension initiale maximale de la batterie (mesurée sans charge de travail) est de 20 volts. La tension nominale est de 18 volts.

Type de Pile	Blocs-piles
20V	DCB201, DCB203, DCB203BT, DCB204, DCB204BT, DCB205, DCB205BT, DCB207; DCB230; DCB240; DCBP034

L'utilisation de toute autre pile pourrait provoquer un incendie.

## Installation et retrait du bloc-piles (Fig. M)

**AVERTISSEMENT :** s'assurer que l'outil/appareil est en position « Off » avant d'insérer le bloc-piles.

**REMARQUE :** pour une meilleure performance, assurez-vous que le bloc-piles est complètement chargé.

- Pour installer le bloc-piles 6 dans l'outil, alignez le bloc-piles avec les glissières à l'intérieur de la poignée de l'outil et glissez-le dans la poignée jusqu'à ce que le bloc-piles soit bien placé dans l'outil et assurez-vous qu'il est enclenché.
- Pour retirer le bloc-piles de l'outil, appuyez sur le bouton de libération 2 et tirez-le fermement hors de la poignée de l'outil. Insérez-le dans le chargeur comme indiqué dans la section relative au chargeur du présent manuel.

## Conseils d'utilisation

- Pour prolonger la durée de vie de la pile par charge, éteignez le laser lorsqu'il n'est pas utilisé.
- Pour assurer l'exactitude de votre travail, vérifiez souvent l'étalement du laser. Référez-vous à la section Vérifier la précision du laser.
- Avant d'utiliser le laser, s'assurer qu'il est correctement installé, sur une surface lisse, plane, stable et nivelée dans les deux directions.
- Pour augmenter la visibilité du faisceau, utilisez une carte laser cible



**ATTENTION :** Pour réduire le risque de blessures graves, ne regardez jamais directement le faisceau laser, avec ou sans ces lunettes. Référez-vous à la section Accessoires pour des informations importantes.

- Veiller à toujours marquer le centre du faisceau créé par le laser.
- Les changements de température extrêmes peuvent causer le déplacement des structures de l'immeuble, des trépiéds métalliques, de l'équipement, etc., ce qui risque de nuire à l'exactitude. Vérifier souvent la précision durant le travail.
- En cas de chute du laser, vérifier s'il est toujours étalonné. Consulter la section **Vérifier la précision du laser**

## Mise en marche du laser (Fig. E)

Le laser étant éteint, placez-le sur une surface plane. Ce modèle est équipé d'un commutateur de verrouillage du balancier 5 et d'un clavier pour activer les faisceaux laser à l'aide de deux boutons MARCHE/ARRÊT ; l'un pour une ligne laser horizontale ☹ et l'autre pour une ligne laser verticale ☺. Chaque ligne laser est activée en déplaçant le commutateur de verrouillage du balancier en position DÉVERROUILLÉ/ACTIVÉ et en appuyant sur le bouton MARCHE/ARRÊT approprié sur le clavier. Les lignes laser peuvent être activées une par une ou simultanément. Une nouvelle pression sur les boutons MARCHE/ARRÊT éteint les lignes laser. Le commutateur de verrouillage du balancier désactive les lasers tout en verrouillant le balancier et doit toujours être placé en position VERROUILLÉ/ARRÊT lorsque le laser n'est pas utilisé.

## Vérifier la précision du laser

Les outils lasers sont scellés et calibrés à l'usine. Il est recommandé que vous effectuiez une vérification de la précision avant d'utiliser le laser pour la première fois (au cas où le laser ait été exposé à des températures extrêmes) puis régulièrement afin d'assurer la précision de votre travail. Lorsque vous effectuez toute vérification de la précision énumérée dans ce manuel, suivez ces directives :

- Utilisez la plus grande zone/distance possible, la plus près de la distance de fonctionnement. Plus la zone/distance est grande, plus il est facile de mesurer la précision du laser.
- Placez le laser sur une surface lisse et plane qui à niveau dans les deux sens.
- Indiquer le centre du faisceau du laser.

## Contrôle de calibrage sur site

### Contrôle de précision - faisceau horizontal, direction de balayage (Fig. F)

Le contrôle de calibrage horizontal du balayage laser nécessite deux murs éloignés d'au moins 9 m (30') l'un de l'autre. Il importe d'effectuer le contrôle de calibrage en utilisant une distance qui n'est pas inférieure à la distance des applications pour lesquelles l'outil sera utilisé.

- Fixez le laser à un mur en utilisant son support pivotant. Vérifiez que le laser fait face directement vers l'avant.

- Allumez le faisceau horizontal du laser et faites-le pivoter sur environ 45° de sorte que l'extrémité la plus à droite de la ligne du laser touche le mur opposé à une distance d'au moins 9 m (30'). Marquez le centre du faisceau (a).
  - Tournez le laser sur environ 90° pour amener l'extrémité la plus à gauche de la ligne laser autour du repère de l'étape 2. Marquez le centre du faisceau (b).
  - Mesurez la distance verticale entre les repères.
- Si la mesure est supérieure aux valeurs indiquées ci-dessous, le laser doit être réparé dans un centre de service agréé.

Distance entre les murs	Distance autorisée entre Ⓐ et Ⓑ
30'	1/8"
40'	5/32"
50'	7/32"

Distance entre les murs	Distance autorisée entre Ⓐ et Ⓑ
9.0 m	3.1 mm
12.0 m	4.2 mm
15.0 m	5.2 mm

### Contrôle de précision - faisceau horizontal, direction d'inclinaison (Fig. G)

Le contrôle de calibrage horizontal de l'inclinaison du laser nécessite un mur d'au moins 9 m (30') de longueur. Il importe d'effectuer le contrôle de calibrage en utilisant une distance qui n'est pas inférieure à la distance des applications pour lesquelles l'outil sera utilisé.

- Fixez le laser à une extrémité du mur en utilisant son support pivotant.
  - Allumez le faisceau horizontal du laser et faites-le pivoter vers le côté opposé du mur et approximativement parallèle au mur adjacent.
  - Marquez le centre du faisceau à deux emplacements (a, b) éloignés d'au moins 9 m (30').
  - Repositionnez le laser sur le côté opposé du mur.
  - Allumez le faisceau horizontal du laser et faites-le pivoter pour revenir vers la première extrémité du mur et approximativement parallèle au mur adjacent.
  - Réglez la hauteur du laser de sorte que le centre du faisceau soit aligné avec le repère le plus proche (b).
  - Marquez le centre du faisceau (c) directement au-dessus ou au-dessous du repère le plus éloigné (a).
  - Mesurez la distance entre ces deux repères (a, c).
- Si la mesure est supérieure aux valeurs indiquées ci-dessous, le laser doit être réparé dans un centre de service agréé.

Distance entre les murs	Distance autorisée entre Ⓐ et Ⓑ
30'	1/4"
40'	5/16"
50'	13/32"

Distance entre les murs	Distance autorisée entre Ⓐ et Ⓑ
9.0 m	6.2 mm
12.0 m	8.3 mm
15.0 m	10.4 mm

### Contrôle de précision - faisceau vertical (Fig. H)

La méthode la plus précise pour contrôler le calibrage vertical (aplomb) du laser nécessite une hauteur verticale importante, idéalement 9 m (30'), avec une personne au sol positionnant le laser et une autre personne proche du plafond pour repérer la position du faisceau. Il importe d'effectuer le contrôle de calibrage en utilisant une distance qui n'est pas inférieure à la distance des applications pour lesquelles l'outil sera utilisé.

- Commencez par marquer une ligne de 5' (1,5 m) au sol.
  - Allumez le faisceau vertical du laser et positionnez l'appareil à une extrémité de la ligne, face à elle.
  - Réglez l'appareil de sorte que son faisceau soit aligné et centré sur la ligne au sol.
  - Marquez la position du faisceau laser au plafond (a). Marquez le centre du faisceau laser directement sur le point médian de la ligne au sol.
  - Repositionnez le laser à l'autre extrémité de la ligne au sol. Réglez à nouveau l'appareil de sorte que son faisceau soit aligné et centré sur la ligne au sol.
  - Marquez la position du faisceau laser au plafond (b), directement à côté du premier repère (a).
  - Mesurez la distance entre ces deux repères.
- Si la mesure est supérieure aux valeurs indiquées ci-dessous, le laser doit être réparé dans un centre de service agréé.

Distance entre les murs	Distance autorisée entre Ⓐ et Ⓑ
8'	1/8"
10'	3/16"
14'	1/4"
20'	3/8"

Distance entre les murs	Distance autorisée entre Ⓐ et Ⓑ
2.5 m	3.4 mm
3.0 m	4.2 mm
4.0 m	5.5 mm
6.0 m	8.2 mm

### Uso del láser

#### Nivelación del láser

Mientras el láser está correctamente calibrado, tendrá la función de autonivelación. Cada láser está calibrado en fábrica para encontrar nivel cuando se coloca en una superficie plana dentro de un promedio de  $\pm 4^\circ$  del nivel. No se requieren ajustes manuales.

Si el láser se inclina en exceso de forma tal que no pueda autonivelarse ( $> 4^\circ$ ), el rayo láser parpadeará. Hay dos

secuencias de parpadeo asociadas con la condición fuera de nivel.

- Entre 4° y 10°, los rayos parpadean con un ciclo de parpadeo constante
- En ángulos mayores de 10°, los rayos parpadean con un ciclo de tres destellos.

Cuando los rayos parpadean, EL LÁSER NO ESTÁ A NIVEL (O PLOMADA) Y NO DEBE USARSE PARA DETERMINAR O MARCAR EL NIVEL O PLOMADA. Intente cambiar la posición del láser en una superficie más nivelada.

## Utilisation du support pivotant (Fig. I, J)

Le niveau laser est équipé d'un support pivotant magnétique 6 intégré à l'appareil.

**⚠ AVERTISSEMENT :** *Positionner le niveau laser et/ou le support mural sur une surface stable. Une chute du niveau laser peut causer des blessures corporelles graves ou endommager l'appareil.*

- Le support est muni d'un œillet 7 qui permet de le suspendre à un clou ou une vis sur n'importe quel type de surface.
- Le support est équipé d'aimants 10 qui permettent à l'appareil d'être monté sur la plupart des surfaces verticales en acier ou en fer. Les surfaces utilisables sont, par exemple, des montants en acier, des cadres de porte en acier ou des poutres en acier profilé. Avant de fixer le support pivotant contre le montant 11, placez la plaque de renforcement en métal 12 sur le côté opposé du montant.

## Entretien

- Pour garantir l'exactitude du travail, vérifier souvent le laser pour s'assurer qu'il est bien calibré. Consulter la section Vérifier le calibrage sur le terrain.
- Les vérifications de calibrage, l'entretien et les réparations peuvent être effectués par les centres de réparation DEWALT.
- Après utilisation, ranger le laser dans la mallette fournie à cet effet. Ne pas ranger le laser à un endroit où la température est inférieure à -20 °C (-5 °F) ou supérieure à 60 °C (140 °F).
- Ne pas ranger le laser dans la boîte s'il est mouillé. Avant l'entreposage, le laser doit être asséché à l'aide d'un chiffon doux et sec.

## Nettoyage

Les pièces extérieures en plastique peuvent être nettoyées avec un chiffon humecté. Bien que ces pièces soient résistantes aux solvants, ne JAMAIS utiliser de solvants. Utiliser un chiffon doux et sec pour éliminer l'humidité de l'outil avant de le ranger.

## Dépannage

### Le laser ne s'allume pas

- Chargez complètement la batterie, puis réinstallez-la dans l'unité laser.
- L'appareil ne s'allumera pas s'il est chauffé à plus de 50 °C (120 °F). Si le laser a été entreposé à une forte

chaleur, le laisser refroidir. Le niveau au laser ne sera pas endommagé si le bouton marche/arrêt est enfoncé avant qu'il ait refroidi jusqu'à sa bonne température de fonctionnement.

### Les faisceaux laser clignotent (Fig. K)

Les lasers sont conçus pour s'autoniveler jusqu'à une moyenne de 4° dans toutes les directions. Si l'inclinaison du laser est telle que le mécanisme interne ne peut se mettre de niveau par lui-même, les faisceaux laser clignoteront, ce qui indique un dépassement de la plage d'inclinaison. LES FAISCEAUX CLIGNOTANTS CRÉÉS ALORS PAR LE LASER NE SONT PLUS AU NIVEAU OU D'APLOMB ET NE DOIVENT PAS ÊTRE UTILISÉS POUR DÉTERMINER OU MARQUER LE NIVEAU OU L'APLOMB. Essayer de repositionner le laser sur une surface plus à niveau.

Si le bloc-piles du laser a un état de charge faible, les faisceaux clignoteront selon un modèle distinct de 3 clignotements rapides en 1 seconde, suivis d'une lumière constante émise pendant 4 secondes. Le modèle de clignotement indique que le bloc-piles doit être remplacé par un bloc-piles complètement chargé.

### Les faisceaux laser bougent sans cesse

Le laser est un instrument de précision. Aussi, s'il n'est pas placé sur une surface stable (et immobile), il continuera à chercher le niveau. Si le faisceau n'arrête pas de bouger, essayer de placer le laser sur une surface plus stable. Essayer également de faire en sorte que la surface soit relativement plane, afin que le laser soit stable.

## ACCESSOIRES (Fig. L - N)

Certains ensembles laser sont emballés avec un support pour plafond suspendu 13.

Le laser est emballé avec un support de plafond suspendu 1. Le support de plafond suspendu comporte une plaque en acier et se fixe support de pivot aimanté 6 (Figure L).

Le support de plafond suspendu est muni de filets femelles 1/4 - 20 et 5/8 - 11 sous l'unité.

Ce filet est pour accommoder les accessoires DEWALT actuels ou futurs. Consultez les Figures M et N pour des exemples d'accessoires vendus séparément. Utilisez seulement des accessoires DEWALT indiqués pour une utilisation avec ce produit. Suivez les directives incluses avec l'accessoire.

**⚠ AVERTISSEMENT :** *étant donné que les accessoires, autres que ceux offerts par DEWALT, n'ont pas été testés avec ce produit, utiliser de tels accessoires avec cet outil pourrait être dangereux. Afin de réduire le risque de blessures, seulement les accessoires recommandés DEWALT doivent être utilisés avec ce produit.*

Si vous avez besoin d'aide pour trouver un accessoire, veuillez contacter votre centre de services DEWALT le plus près ou allez à [www.DEWALT.com](http://www.DEWALT.com).

### Carte cible (Fig. O)

Certains ensembles de lasers comprennent une carte cible pour laser afin d'aider à localiser et à indiquer le faisceau du laser. La carte cible améliore la visibilité du faisceau du laser lorsque le faisceau traverse la carte. Des échelles standard

et métriques sont indiquées sur la carte. Le faisceau du laser passe à travers le plastique vert semi-transparent et est réfléchi par le ruban réfléchissant sur le revers. L'aimant en haut de la carte est conçu pour maintenir la carte sur le rail au plafond ou les montants en acier afin de déterminer les positions d'aplomb et de niveau. Pour une meilleure performance lorsque vous utilisez la carte cible, le logo DeWALT doit vous faire face.


## Entretien et réparations

**REMARQUE :** Le démontage du ou des niveaux laser annulera toutes les garanties du produit.

Pour assurer la SÉCURITÉ et la FIABILITÉ du produit, les réparations, l'entretien et les réglages doivent être réalisés par un centre de réparation agréé. Toute réparation ou tout entretien réalisé par un personnel non formé peut causer un risque de blessures. Pour trouver le centre de réparation DeWALT le plus près, composer le 1-800-4-DeWALT (1-800-433-9258) ou visiter [www.DeWALT.com](http://www.DeWALT.com).

## Garantie

Allez à [www.DeWALT.com](http://www.DeWALT.com) pour obtenir des informations sur la garantie.

	<b>DCLE34021, DCLE34022</b>
Source lumineuse	Diodes laser
Longueur d'onde du laser	510 à 530 nm visibles
Puissance du laser	≤ 1,5 mW (par faisceau) PRODUIT LASER DE CLASSE 2
Plage de fonctionnement	55 m (180 pi) 100 m (330 pi) avec détecteur
Précision (Aplomb)	± 1/8 po par 30 pi (± 3,1 mm pour 9 m)
Précision (Niveau)	± 1/8 po par 30 pi (± 3,1 mm pour 9 m)
Pile faible	Les faisceaux du laser clignotent avec 3 impulsions rapides
Les faisceaux du laser clignotent de façon continue	Plage d'inclinaison dépassée/l'appareil n'est pas de niveau
Source d'alimentation	Bloc-piles 20 V DeWALT
Température de service	4 °C à 40 °C (39,2 °F à 104 °F)
Température de stockage	4 °C à 40 °C (39,2 °F à 104 °F)
Humidité	Humidité relative maximum de 80% à des températures jusqu'à 31 °C diminuant de façon linéaire jusqu'à 50% d'humidité relative à 40 °C
Résistant à	l'eau et la poussière environnementale IP54. S'applique au produit, pas la pile ou le chargeur.  <b>AVERTISSEMENT :</b> ce produit (excluant le bloc-piles ou le chargeur) a un classement IP offrant un certain niveau de protection contre la poussière (infiltration limitée) et les liquides (éclaboussures légères) durant une utilisation normale et raisonnablement prévisible. Le bloc-piles et le chargeur n'ont pas leur propre classement IP. NE JAMAIS immerger le produit, la pile ou le chargeur dans un liquide.
Altitude	Up to 6500' (2000m)



**ADVERTENCIA:** *Lea todas las advertencias de seguridad e instrucciones. El incumplimiento de las advertencias e instrucciones puede provocar descargas eléctricas, incendios o lesiones graves.*



**ADVERTENCIA:** *Para reducir el riesgo de lesiones, lea el manual de instrucciones.*

## CONTENIDO

- Información de Láser
- Seguridad del usuario
- Baterías
- Consejos de operación
- Encendido del láser
- Verificación de precisión del láser
- Verificación de calibración de campo
- Uso del láser
- Mantenimiento
- Solución de problemas
- Accesorios
- Servicio y reparaciones
- Garantía
- Especificaciones

## Información sobre el láser

El Nivel láser DCLE34021 y DCLE34022 es un producto láser Clase 2 y cumple con 21 CFR 1040.10 y 1040.11 excepto por desviaciones en conformidad con el aviso de láser No. 56, con fecha del 8 de mayo, 2019.

El láser DCLE34021 y DCLE34022 es una herramienta de autonivelación que se puede usar en interiores y exteriores para proyectos de alineación horizontal (nivel), vertical y plomada.

Cumple con UL STDS 61010-1 y 2595

Certificado conforme a la Norma CSA C22.2 No. 61010-1

### Declaración de conformidad del proveedor 47 CFR § 2,1077 información de cumplimiento

Identificador único: DCLE34021, DCLE34022

Parte responsable – información de contacto de Estados Unidos

DEWALT

701 East Joppa Road

Towson, Maryland 21286

[www.DEWALT.com](http://www.DEWALT.com)

## Declaración Cumplimiento de FCC

Este equipo ha sido probado y se ha determinado que cumple con los límites para dispositivos digitales de Clase B, según la parte 15 de las Normas de la FCC. Estos límites están destinados a proporcionar una protección razonable contra la interferencia perjudicial en una instalación residencial. Este equipo genera, usa y puede irradiar energía de radiofrecuencia y, si no se instala y usa de acuerdo con las instrucciones, puede causar interferencia perjudicial a las radiocomunicaciones. Sin embargo, no hay garantía de que no se produzca interferencia en una instalación en particular. Si este equipo causa interferencia perjudicial a la recepción de emisiones de radio o la televisión, la cual puede

determinarse apagando y encendiendo el equipo, se sugiere al usuario que intente corregir la interferencia con una o más de las siguientes medidas:

- cambie la orientación o la ubicación de la antena de recepción,
- aumente la separación entre el equipo y el receptor,
- conecte el equipo en un tomacorriente en un circuito diferente del que está conectado el receptor, o
- consulte al distribuidor o a un técnico con experiencia en radio/TV.

## Declaración de cumplimiento de ISED

Este dispositivo contiene transmisores / receptores exentos de licencia que cumplen con los RSS exentos de licencia de Innovación, Ciencia y Desarrollo Económico de Canadá. El funcionamiento está sujeto a las dos condiciones siguientes:

1. Este dispositivo no puede causar interferencias.
2. Este dispositivo debe aceptar cualquier interferencia, incluida la interferencia que pueda causar un funcionamiento no deseado del dispositivo.

## Seguridad del usuario

### Definiciones: Símbolos y Palabras de Alerta de Seguridad

Este manual de instrucciones utiliza los siguientes símbolos y palabras de alerta de seguridad para alertarle de situaciones peligrosas y del riesgo de lesiones corporales o daños materiales.



**PELIGRO:** *Indica una situación de peligro inminente que, si no se evita, provocará la muerte o lesiones graves.*



**ADVERTENCIA:** *Indica una situación de peligro potencial que, si no se evita, podría provocar la muerte o lesiones graves.*



**ATENCIÓN:** *Indica una situación de peligro potencial que, si no se evita, posiblemente provocaría lesiones leves o moderadas.*



*(Utilizado sin palabras) indica un mensaje de seguridad relacionado.*

**AVISO:** *Se refiere a una práctica no relacionada a lesiones corporales que de no evitarse puede resultar en daños a la propiedad.*

Si tiene alguna pregunta o comentario sobre esta u otra herramienta de DEWALT, llame al 1-800-4-DEWALT (1-800-433-9258) o visite [www.DEWALT.com](http://www.DEWALT.com).



**ADVERTENCIA:** *Nunca modifique la herramienta ni ninguna pieza de ella. Podría producirse daño al láser o lesiones personales.*



**ADVERTENCIA:** *Lea y comprenda todas las instrucciones. El incumplimiento de las advertencias e instrucciones puede provocar descargas eléctricas, incendios o lesiones graves.*

## GUARDE ESTAS INSTRUCCIONES



**ADVERTENCIA:** Exposición a radiación láser. No desensamble ni modifique el nivel láser. Este aparato no incluye piezas internas que puedan ser reparadas por el usuario. Podrían producirse lesiones graves a la visión.



**ADVERTENCIA:** Radiación peligrosa. El uso de controles, ajustes o ejecución de los procedimientos, distintos a los indicados en la presente podrán provocar una exposición peligrosa a la radiación.



**ATENCIÓN:** Mantenga los dedos alejados de la placa posterior y el perno cuando instale los imanes. Los dedos pueden quedar atrapados.



**ATENCIÓN:** No se pare debajo del láser cuando esté instalado con un soporte de imán. Pueden resultar lesiones personales serias o daño al láser si éste cae.

La etiqueta de su herramienta láser puede incluir los siguientes símbolos.

Símbolo	Significado
V	Voltios
mW	Milivatios
	Advertencia del láser
nm	Longitud de onda en nanómetros
2	Láser de Clase 2

## Etiquetas de advertencia

Para su comodidad y seguridad, se incluyen las etiquetas siguientes en su láser.



**ADVERTENCIA:** Para reducir el riesgo de lesiones, el usuario debe leer el manual de instrucciones.



**ADVERTENCIA:** RADIACIÓN LÁSER. NO MIRE FIJAMENTE EL RAYO. Producto Láser Clase 2.



**ADVERTENCIA:** Manténgase alejado del imán. El peligro del imán puede perturbar la operación del marcapasos y resultar en lesiones serias o la muerte.



- Si el equipo se utiliza de una manera no especificada por el fabricante, la protección proporcionada por el equipo puede ser deteriorada.
- No opere el láser en atmósferas explosivas, tal como en la presencia de líquidos, gases o polvo inflamables. Esta herramienta puede crear chispas que pueden encender el polvo o vapores.
- Guarde un láser que no esté en uso fuera del alcance de los niños y otras personas sin capacitación. Los láseres son peligrosos en las manos de usuarios sin capacitación.
- El servicio de la herramienta se DEBE realizar por personal de reparación calificado. El servicio o mantenimiento por personal no calificado puede resultar en lesiones. Para localizar su centro de servicio DEWALT más cercano visite [www.DEWALT.com](http://www.DEWALT.com).
- No use herramientas ópticas tales como un telescopio o tránsito para ver el rayo láser. Podría resultar en lesiones serias a los ojos.
- No coloque el láser en una posición que pueda causar que alguien observe intencional o inadvertidamente el rayo láser. Podría resultar en lesiones serias a los ojos.
- No coloque el láser cerca de una superficie reflejante que pueda reflejar el rayo láser a los ojos de alguien. Podría resultar en lesiones serias a los ojos.
- Apague el láser cuando no esté en uso. Dejar el láser encendido incrementa el riesgo de ver al rayo láser.
- No modifique el láser en ninguna manera. Modificar la herramienta puede resultar en exposición peligrosa a la radiación de láser.
- No opere el láser alrededor de niños ni permita que niños operen el láser. Puede resultar en lesiones serias a los ojos.
- No retire o elimine las etiquetas de advertencia. Si se retiran las etiquetas, el usuario u otros pueden exponerse inadvertidamente a la radiación.
- Coloque el láser firmemente sobre una superficie nivelada. Si el láser cae, podría resultar en daño al láser o lesiones serias.

## Seguridad Personal

- Permanezca alerta, observe lo que está haciendo, y use el sentido común cuando opere el láser. No use el láser cuando esté cansado o bajo la influencia de drogas, alcohol, o medicamentos. Un momento de falta de atención mientras opera el láser puede resultar en lesiones personales serias.
- No se estire demasiado. Conserve el equilibrio y posicione adecuadamente en todo momento. Una posición y un equilibrio correctos permiten un mejor control de la herramienta en situaciones inesperadas.
- Use equipo de protección personal. Siempre use protección para los ojos. Dependiendo de las condiciones de trabajo, usar equipo de protección tal como una máscara de polvo, zapatos de seguridad anti-deslizantes, casco, y protección auditiva reducirá las lesiones personales.

## Uso y Cuidado de la Herramienta

- *No use el láser si el interruptor de Bloqueo de energía/ Transporte no enciende o apaga el láser. Cualquier herramienta que no se pueda controlar con el interruptor es peligrosa y se debe reparar.*
- *Siga las instrucciones en la sección de Mantenimiento de este manual. El uso de partes no autorizadas o la falla en seguir las instrucciones de Mantenimiento puede crear un riesgo de descarga eléctrica o lesiones.*
- *Use únicamente los accesorios recomendados para su modelo por el fabricante. Los accesorios que pueden ser adecuados para una herramienta pueden ser peligrosos cuando se usan en otra herramienta.*

## BATERÍAS Y CARGADORES

El paquete de batería no está completamente cargado cuando se retira del cartón. Antes de usar la batería y el cargador, lea las siguientes instrucciones de seguridad y luego siga los procedimientos de carga descritos. Cuando solicite paquetes de baterías de repuesto, asegúrese de incluir el número de catálogo y el voltaje.

### LEA TODAS LAS INSTRUCCIONES

## Instrucciones de Seguridad Importantes para Todos los Paquetes de Batería



**ADVERTENCIA:** Lea todas las advertencias de seguridad, instrucciones y marcas de precaución para el paquete de la batería, el cargador y el producto. La falla en seguir las advertencias e instrucciones puede resultar en descarga eléctrica, incendio y/o lesiones serias.

- *No cargue o use el paquete de batería en atmósferas explosivas, como en la presencia de líquidos, gases o polvo inflamables. Insertar o retirar el paquete de batería del cargador puede encender el polvo y los vapores.*
  - *NUNCA fuerce el paquete de batería dentro del cargador. NO modifique el paquete de batería en ninguna forma para instalarlo en un cargador no compatible ya que el paquete de batería se puede romper causando lesiones personales serias. Consulte la tabla al final de este manual respecto a compatibilidad de las baterías y cargadores.*
  - *Cargue los paquetes de batería sólo en cargadores DeWALT.*
  - *NO salpique ni sumerja en agua u otros líquidos.*
  - *NO permita que agua o ningún otro líquido entre al paquete de batería.*
  - *No almacene ni use la herramienta y el paquete de baterías en lugares donde la temperatura pueda alcanzar o exceder los 40 °C (104 °F) (como cobertizos exteriores o edificios de metal en verano). Para obtener la mejor vida útil, guarde los paquetes de baterías en un lugar fresco y seco.*
- NOTA:** No guarde los paquetes de baterías en una herramienta con el interruptor de gatillo bloqueado. Nunca sujete con cinta el interruptor de gatillo en la posición ON.

- *No incinere el paquete de batería incluso si está dañado severamente o está completamente agotada. El paquete de batería pueden explotar en el fuego. Se crean humos y materiales tóxicos cuando se queman los paquetes de baterías de ion de litio.*
- *No exponga un paquete de batería o una herramienta a fuego o temperatura excesiva. La exposición a fuego o temperaturas mayores a 130 °C (265 °F) pueden causar una explosión.*
- *Siga todas las instrucciones de carga y no cargue el paquete de batería o el aparato fuera del rango de temperatura especificado en las instrucciones. Cargar inadecuadamente o en una temperatura fuera del rango especificado puede dañar la batería e incrementar el riesgo de incendio.*
- *Si el contenido de la batería entra en contacto con la piel, lave de inmediato el área con jabón suave y agua. Si el líquido de la batería entra en los ojos, enjuague con agua sobre el ojo abierto durante 15 minutos o hasta que desaparezca la irritación. Si se necesita atención médica, el electrolito de la batería está compuesto por una mezcla de carbonatos orgánicos líquidos y sales de litio.*
- *El contenido de las celdas de batería abiertas puede causar irritación respiratoria. Proporcione aire fresco. Si los síntomas persisten, busque atención médica.*
- *El líquido de la batería puede ser inflamable si se expone a chispas o llamas.*
- *Nunca intente abrir el paquete de baterías por ninguna razón. Si la caja del paquete de baterías está agrietada o dañada, no la inserte en el cargador. No aplaste, deje caer o dañe el paquete de la batería. No use un paquete de baterías o cargador que haya recibido un golpe fuerte, se haya dejado caer, se haya aplastado o dañado de cualquier manera (por ej., perforado con un clavo, golpeado con un martillo, o pisado). Los paquetes de batería dañados se deben regresar al centro de servicio para reciclaje.*

## Recomendaciones de Almacenamiento

El mejor lugar de almacenamiento es aquel que es fresco y seco, alejado de la luz solar directa y del exceso de calor o frío. Guarde el paquete de batería completamente cargado fuera del cargador.

## Instrucciones de Limpieza de Paquete de Batería

La suciedad y grasa se pueden retirar del exterior de la paquete de batería con una tela o cepillo no metálico suave. No use agua o ninguna solución de limpieza.

## Paquetes de Baterías de Indicador de Combustible (Fig. B)

Algunos paquetes de batería incluyen un indicador de combustible. Cuando se presiona y sostiene el botón de indicador de combustible, las luces LED indicarán el nivel de carga aproximado restante. Éste no indica la funcionalidad de la herramienta y está sujeto a variación en base a los

componentes del producto, la temperatura y la aplicación del usuario final.

## Transporte



**ADVERTENCIA: Riesgo de Incendio. No guarde, transporte, o lleve el paquete de batería de forma que objetos de metal puedan tener contacto con las terminales expuestas de la batería.** Por ejemplo, no coloque la batería en delantales, bolsillos, cajas de herramientas, cajas de juego de productos, cajones, etc., con clavos sueltos, tornillos, llaves, monedas, herramientas manuales, etc. Al transportar paquetes de baterías individuales, asegúrese que las terminales de la batería estén protegidas y bien aisladas de materiales que puedan entrar en contacto con ellas y causar un cortocircuito. **NOTA:** Los paquetes de batería de ion de litio no se deben colocar en equipaje de mano en aviones y se deben proteger adecuadamente contra corto circuito si están en el equipaje registrado.

## El Sello RBRC®

Lleve sus paquetes de batería agotados a un centro de servicio autorizado DEWALT o a su minorista local para reciclarlas. En algunas áreas, es ilegal colocar paquetes de batería gastados en la basura. También puede comunicarse con su centro de reciclaje local para obtener información sobre dónde dejar el paquete de batería agotado. No las coloque en el reciclaje de la acera. *Para información adicional visite [www.call2recycle.org](http://www.call2recycle.org).*



O llame al número de larga distancia gratuito en el Sello RBRC®. RBRC® es una marca comercial registrada de Call 2 Recycle, Inc.

## Instrucciones de Seguridad Importantes para Todos los Cargadores de Batería



**ADVERTENCIA: Lea todas las advertencias de seguridad, instrucciones y marcas de precaución para el paquete de la batería, el cargador y el producto. La falla en seguir las advertencias e instrucciones puede resultar en descarga eléctrica, incendio y/o lesiones serias.**

- **NO intente cargar el paquete de batería con ningún cargador diferente a un cargador DEWALT.** Los cargadores y paquetes de batería DEWALT están diseñados específicamente para funcionar juntos.
- **Estos cargadores no están diseñados para usos diferentes a cargar paquetes de batería DEWALT recargables.** Cargar otros tipos de baterías puede causar que se sobrecalienten y exploten, resultando en lesiones personales, daño a la propiedad, incendio, descarga eléctrica o electrocución.
- **No exponga el cargador a la lluvia o la nieve.**
- **NO permita que agua o ningún otro líquido entre al cargador.**
- **Jale por el enchufe en lugar del cable cuando desconecte el cargador.** Esto reducirá el riesgo de daños al enchufe y cable eléctricos.

- **Asegúrese que el cable esté ubicado de forma que no se pueda pisar, provoque tropiezos, o de otra forma esté sujeto a daño o esfuerzo.**
- **No use un cable de extensión a menos que sea absolutamente necesario.** El uso de un cable de extensión inadecuado podría resultar en riesgo de incendio, descarga eléctrica o electrocución.
- **Cuando opere un cargador al aire libre, proporcione siempre un lugar seco y use un cable de extensión adecuado para uso en exteriores.** El uso de un cable adecuado para uso en exteriores reduce el riesgo de descarga eléctrica.
- **Un cable de extensión debe tener un tamaño de cable adecuado (AWG o American Wire Gauge) por seguridad.** Cuanto menor es el número de calibre del cable, el cable será más pesado y por lo tanto su capacidad. Un cable de tamaño inferior causará una caída en el voltaje en línea que resulta en una pérdida de energía y sobrecalentamiento. La siguiente tabla muestra el tamaño correcto a usar dependiendo de la longitud total de todos los cables de extensión juntos, y la clasificación de amperes de la placa de identificación. Si tiene duda, use el calibre más pesado siguiente.

Calibre mínimo para juegos de cable

Voltios	Longitud total de cable en pies (metros)				
	25 (7,6)	50 (15,2)	100 (30,5)	150 (45,7)	
Clasificación de amperes	American Wire Gauge				
0	6	18	16	16	14
6	10	18	16	14	12
10	12	16	16	14	12
12	16	14	12	No recomendado	

- **No coloque ningún objeto encima del cargador ni coloque el cargador sobre una superficie blanda que pueda bloquear las ranuras de ventilación y provocar un calor interno excesivo.** Coloque el cargador en una posición lejos de cualquier fuente de calor. El cargador se ventila a través de ranuras en la parte superior e inferior del alojamiento.
- **No opere el cargador con un cable o enchufe dañado.** Solicite que los reemplacen de inmediato.
- **No opere el cargador si recibió un golpe fuerte, se dejó caer o se dañó de cualquier manera.** Llévelo a un centro de servicio autorizado.
- **No desensamble el cargador; llévelo a un centro de servicio autorizado cuando se requiera servicio o reparación.** El reensamble incorrecto puede resultar en un riesgo de descarga eléctrica, electrocución o incendio.
- **El cargador está diseñado para operar con corriente eléctrica doméstica estándar de 120 V. No intente usarlo en ningún otro voltaje.** Esto no aplica al cargador de vehículos.
- **Los materiales extraños de naturaleza conductiva tales como, pero sin limitarse a, polvo de pulido, rebabas de metal, lana de acero, papel aluminio, o cualquier acumulación de partículas metálicas se**

**deben mantener alejados de las cavidades y ranuras de ventilación del cargador.**

- **Siempre desconecte el cargador del suministro de energía cuando no haya paquete de baterías en la cavidad.**

## Carga de la Batería (Fig. C)

1. Conecte el cargador en un tomacorriente apropiado.
2. Inserte y asiente completamente el paquete de batería 6. Las luces rojas parpadearán continuamente mientras carga.
3. La carga está completa cuando las luces de carga roja permanecen encendidas continuamente. El paquete de batería se puede dejar en el cargador o retirarse. Algunos cargadores requieren que se presione el botón de liberación del paquete de batería para retirarlo.



**ADVERTENCIA:** Sólo cargue baterías en temperatura ambiente mayor a 4,5 °C (40 °F) y menor a +40 °C (104 °F).

4. El cargador no cargará un paquete de batería defectuoso, lo que puede indicarse por las luces de carga que permanecen apagadas. Lleve el cargador y el paquete de batería a un centro de servicio autorizado si las luces permanecen apagadas.

**NOTA:** Consulte la etiqueta cerca de las luces de carga en el cargador respecto a los patrones de parpadeo. Los cargadores más viejos pueden tener información adicional y/o pueden no tener una luz indicadora amarilla.

**NOTA:** Para retirar el paquete de batería, algunos cargadores requieren que se presione el botón de liberación del paquete de batería.

## Demora de Paquete Caliente/Frío

Cuando el cargador detecta un paquete de batería que esté demasiado caliente o demasiado frío, comienza automáticamente una Demora de Paquete Caliente/Frío, suspendiendo la carga hasta que el paquete de batería alcance una temperatura apropiada. El cargador cambia automáticamente al modo de carga del paquete. Esta característica garantiza la vida máxima del paquete de batería. Un paquete de batería frío puede cargar a un ritmo más lento que un paquete de batería caliente.

La demora de paquete caliente/frío se indicará por la luz roja que continúan parpadeando pero con la luz amarilla encendida continuamente. Una vez que el paquete de batería alcance una temperatura adecuada, la luz amarilla se apagará y el cargador reanudará el procedimiento de carga.

## Cargadores DCB118 y DCB112

Los cargadores DCB118 y DCB112 están equipados con un ventilador interno diseñado para enfriar el paquete de batería. El ventilador se encenderá automáticamente cuando el paquete de batería se necesite enfriar.

L'appareil s'arrêtera automatiquement dès que le système électronique de protection sera activé. Si c'était le cas, placez le bloc-piles au lithium-ion sur son chargeur jusqu'à ce qu'il soit complètement rechargé.

## Sistema de Protección Electrónica

Las herramientas de ion de litio están diseñadas con un Sistema de Protección Electrónica que protegerá el paquete de batería contra sobrecarga, sobrecalentamiento o descarga profunda. La herramienta se apagará automáticamente y el paquete de batería se necesitará volver a cargar.

## Notas Importantes de Carga

1. Se puede obtener una mayor duración y un mejor rendimiento si la unidad de batería se carga a una temperatura ambiente de 18 °C–24 °C (65 °F–75 °F). NO cargue cuando el paquete de batería esté debajo de +4,5 °C (+40 °F), o arriba de +40 °C (+104 °F). Esto es importante y evitará causar daños graves a la batería.
2. El cargador y el paquete de baterías pueden calentarse al tacto durante la carga. Esta es una condición normal y no indica un problema. Para facilitar el enfriamiento de la batería después de su uso, evite colocar el cargador o la batería en un ambiente cálido, como en un cobertizo de metal o un remolque sin aislamiento.
3. Si la batería no se carga correctamente:
  - a. Verifique la operación del receptáculo conectando una lámpara u otro aparato;
  - b. Revise si el receptáculo está conectado a un interruptor de luz que apegue la energía cuando apague las luces;
  - c. Si persisten los problemas de carga, lleve la herramienta, el paquete de batería y el cargador a su centro de servicio local.
4. Puede cargar un paquete parcialmente usado cuando lo desee sin ningún efecto adverso en el paquete de baterías.

## Instrucciones de Limpieza de Cargador



**ADVERTENCIA:** Riesgo de descarga eléctrica.

Desconecte el cargador del tomacorriente CA antes de limpiar. La suciedad y grasa se pueden retirar del exterior del cargador con una tela o cepillo no metálico suave. No use agua o ninguna solución de limpieza.

## Montaje en pared

Algunos cargadores DEWALT están diseñados para poderse montar en pared o colocarse vertical sobre una mesa o superficie de trabajo. Si se monta en pared, localice el cargador dentro del alcance de un tomacorriente eléctrico, y lejos de una esquina u otras obstrucciones que puedan impedir el flujo de aire. Use la parte posterior del cargador como una plantilla para la ubicación de los tornillos de montaje en la pared. Instale el cargador firmemente con tornillos para Tablaroca (adquiridos por separado) por lo menos de 1" (25.4 mm) de largo, con un diámetro de cabeza de tornillo de 0.28–0.35" (7–9 mm), atornillados en madera a una profundidad óptima dejando aproximadamente 7/32" (5.5 mm) de tornillo expuesto. Alinee las ranuras en la parte posterior del cargador con los tornillos expuestos y conéctelos completamente dentro de las ranuras.

**CONSERVE ESTAS INSTRUCCIONES PARA USO FUTURO**

## Conexión de la alimentación al láser

La alimentación de este láser puede hacerse a través de cualquiera de estos paquetes:

- Un paquete de baterías de iones de litio DEWALT 20V MAX\*. \*El voltaje inicial máximo de la batería (medido sin carga de trabajo) es de 20 voltios. El voltaje nominal es de 18 voltios.

Tipo de Batería	Paquete de Baterías
20V	DCB201, DCB203, DCB203BT, DCB204, DCB204BT, DCB205, DCB205BT, DCB207; DCB230; DCB240; DCBP034

El uso de cualquier otra batería puede generar un riesgo de incendio.

## Instalación y Desinstalación de Paquete de Batería (Fig. M)



**ADVERTENCIA:** Asegúrese que la herramienta/aparato esté en la posición de apagado antes de insertar el paquete de batería.

**NOTA:** Para mejores resultados, asegúrese que su paquete de batería esté completamente cargado.

- Para instalar el paquete de batería **6** en la manija de la herramienta, alinee el paquete de la batería con los rieles dentro de la manija de la herramienta y deslícelo en la manija hasta que el paquete de batería esté asentado firmemente en la herramienta y asegúrese que no se desconecte.
- Para retirar el paquete de batería de la herramienta, presione el botón de liberación **2** y jale firmemente el paquete de batería fuera de la manija de la herramienta. Insértelo en el cargador como se describe en la sección de cargador de este manual.

## Sugerencias de funcionamiento

- Para extender la duración de la batería por carga, apague el láser cuando no está en uso.
- Para garantizar la precisión de su trabajo, compruebe con frecuencia la calibración del láser. Consulte la sección de **Verificación de precisión de Láser**.
- Antes de intentar usar el láser, asegúrese de que la herramienta esté colocada en una superficie relativamente lisa y segura y nivel en ambas direcciones.
- Para aumentar la visibilidad del rayo, use una tarjeta de objetivo de láser (Fig. O).



**ATENCIÓN:** Para reducir el riesgo de una lesión grave, nunca mire directamente al rayo láser, con o sin estos lentes. Consulte la sección de *Accessories* para obtener información importante.

- Siempre marque el centro del rayo creado por el láser.
- Los cambios extremos de temperatura pueden causar movimientos o variaciones en las estructuras de los edificios, los tripodes de metal, etc., lo que puede afectar la precisión. Compruebe su precisión con frecuencia mientras trabaja.
- Si el láser se ha caído, compruebe que aún esté calibrado. Vea Encendido del láser.

## Encendido del láser (Fig. E)

Con el láser apagado, colóquelo sobre una superficie plana. Este modelo tiene un interruptor de bloqueo pendular **5** y un teclado para activar los rayos láser con dos botones ON/OFF (encendido/apagado); uno para una línea láser horizontal **⊖** y otro para una línea láser vertical **⊕**. Cada línea láser se enciende moviendo el interruptor de bloqueo del péndulo a la posición de DESBLOQUEADO/ENCENDIDO y presionando el botón ON/OFF requerido en el teclado. Las líneas láser se pueden energizar una a la vez o al mismo tiempo. Al presionar los botones ON/OFF nuevamente se apagan las líneas láser. El interruptor de bloqueo del péndulo desactiva los láseres y bloquea el péndulo, y siempre debe colocarse en la posición LOCKED/OFF cuando el láser no esté en uso.

## Verificación de calibración de campo

### Verificación de precisión - Rayo horizontal, dirección de escaneo (Fig. F)

La verificación de la calibración de escaneo horizontal del láser requiere dos paredes separadas por lo menos a 9 m (30'). Es importante realizar una verificación de calibración utilizando una distancia no menor que la distancia de las aplicaciones para las que se utilizará la herramienta.

- Fije el láser a una pared usando su soporte de pivote. Asegúrese que el láser esté orientado hacia adelante.
  - Encienda el rayo horizontal del láser y gire el láser aproximadamente 45° de modo que el extremo más a la derecha de la línea láser dé en la pared opuesta a una distancia de por lo menos 9 m (30'). Marque el centro del rayo (a).
  - Gire el láser aproximadamente 90° para llevar el extremo más a la izquierda de la línea láser hasta la marca realizada en el paso 2. Marque el centro del rayo (b).
  - Mida la distancia vertical entre las marcas.
- Si la medición es mayor que los valores que se muestran a continuación, el láser debe recibir servicio en un centro de servicio autorizado.

Distancia entre paredes	Distancia permitida entre <b>a</b> y <b>b</b>
30'	1/8"
40'	5/32"
50'	7/32"

Distancia entre paredes	Distancia permitida entre <b>a</b> y <b>b</b>
9.0 m	3.1 mm
12.0 m	4.2 mm
15.0 m	5.2 mm

### Verificación de precisión - Rayo horizontal, dirección de inclinación (Fig. G)

La verificación de la calibración de inclinación horizontal del láser requiere una sola pared de por lo menos 9 m (30') de largo. Es importante realizar una verificación de calibración

utilizando una distancia no menor que la distancia de las aplicaciones para las que se utilizará la herramienta.

1. Fije el láser a un extremo de una pared usando su soporte de pivote.
2. Encienda el rayo horizontal del láser y gire el láser hacia el extremo opuesto de la pared y aproximadamente paralelo a la pared adyacente.
3. Marque el centro del rayo en dos lugares (a, b) separados por lo menos a 9 m (30').
4. Vuelva a colocar el láser en el extremo opuesto de la pared.
5. Encienda el rayo horizontal del láser y gire el láser hacia atrás al primer extremo de la pared y aproximadamente paralelo a la pared adyacente.
6. Ajuste la altura del láser para que el centro del rayo esté alineado con la marca más cercana (b).
7. Marque el centro del rayo (c) directamente arriba o debajo de la marca más lejana (a).
8. Mida la distancia entre estas dos marcas (a, c).

Si la medición es mayor que los valores que se muestran a continuación, el láser debe recibir servicio en un centro de servicio autorizado.

Distancia entre paredes	Distancia permitida entre Ⓐ y Ⓑ
30'	1/4"
40'	5/16"
50'	13/32"

Distancia entre paredes	Distancia permitida entre Ⓐ y Ⓑ
9.0 m	6.2 mm
12.0 m	8.3 mm
15.0 m	10.4 mm

### Verificación de precisión - Rayo vertical (Fig. H)

La verificación de la calibración vertical (plomada) del láser se puede realizar con mayor precisión cuando hay una cantidad sustancial de altura vertical disponible, idealmente 20' (6 m), con una persona en el piso colocando el láser y otra cerca del techo para marcar la posición del rayo. Es importante realizar una verificación de calibración utilizando una distancia no menor que la distancia de las aplicaciones para las que se utilizará la herramienta.

1. Empiece marcando una línea de 5' (1.5 m) en el suelo.
2. Encienda el rayo vertical del láser y coloque la unidad en un extremo de la línea, mirando hacia la línea.
3. Ajuste la unidad de modo que su rayo esté alineado y centrado en la línea del piso.
4. Marque la posición del rayo láser en el techo (a). Marque el centro del rayo láser directamente sobre el punto medio de la línea en el piso.
5. Vuelva a colocar el láser en el otro extremo de la línea en el suelo. Ajuste la unidad una vez más para que su rayo esté alineado y centrado en la línea del piso.
6. Marque la posición del rayo láser en el techo (b), directamente al lado de la primera marca (a).

7. Mida la distancia entre éstas dos marcas.

- Si la medición es mayor que los valores que se muestran a continuación, el láser debe recibir servicio en un centro de servicio autorizado.

Distancia entre paredes	Distancia permitida entre Ⓐ y Ⓑ
8'	1/8"
10'	3/16"
14'	1/4"
20'	3/8"

Distancia entre paredes	Distancia permitida entre Ⓐ y Ⓑ
2.5 m	3.4 mm
3.0 m	4.2 mm
4.0 m	5.5 mm
6.0 m	8.2 mm

### Uso del láser

#### Nivelación del láser

Mientras el láser está correctamente calibrado, tendrá la función de autonivelación. Cada láser está calibrado en fábrica para encontrar nivel cuando se coloca en una superficie plana dentro de un promedio de  $\pm 4^\circ$  del nivel. No se requieren ajustes manuales.

Si el láser se inclina en exceso de forma tal que no pueda autonivelarse ( $> 4^\circ$ ), el rayo láser parpadeará. Hay dos secuencias de parpadeo asociadas con la condición fuera de nivel.

- Entre  $4^\circ$  y  $10^\circ$ , los rayos parpadean con un ciclo de parpadeo constante
- En ángulos mayores de  $10^\circ$ , los rayos parpadean con un ciclo de tres destellos.

Cuando los rayos parpadean, EL LÁSER NO ESTÁ A NIVEL (O PLOMADA) Y NO DEBE USARSE PARA DETERMINAR O MARCAR EL NIVEL O PLOMADA. Intente cambiar la posición del láser en una superficie más nivelada.

#### Uso del soporte de pivote (Fig. I, J)

El láser posee un soporte de pivote magnético ⑥ unido de manera permanente a la unidad.



**ADVERTENCIA:** Coloque el láser o el soporte para pared sobre una superficie estable. Si el láser se cae, pueden producirse lesiones personales graves o daños a la herramienta.

- El soporte tiene una ranura para llave ⑦ que permite que la unidad se pueda colgar de un clavo o tornillo en cualquier tipo de superficie.
- El soporte tiene imanes ⑩ que permiten que la unidad se monte en la mayoría de las superficies verticales fabricadas en acero o hierro. Ejemplos comunes de superficies adecuadas incluyen pernos para marcos de acero, marcos de puerta de acero y vigas estructurales de acero. Antes de conectar el soporte de pivote contra un perno ⑪, coloque la Placa de mejora de metal ⑫ en el lado opuesto del perno.

## Mantenimiento

- Para mantener la precisión de su trabajo, con frecuencia compruebe que su láser esté debidamente calibrado. Vea Comprobación de calibración en campo.
- Las comprobaciones de calibración y otras reparaciones de mantenimiento deben ser realizadas en los centros de servicios DEWALT.
- Cuando no se utiliza, almacene el láser en la caja del kit provista. No almacene su láser a temperaturas inferiores a -20 °C (-5 °F) ni superiores a 60 °C (140 °F).
- No almacene su láser en la caja del kit si está mojado. El láser debe secarse primero con un paño seco y suave antes del almacenamiento.

## Limpieza

Las partes externas de plástico deben limpiarse con un paño húmedo. Aunque estas partes son resistentes a los solventes, NUNCA use solventes. Use un paño suave y seco para quitar la humedad de la herramienta antes del almacenamiento.

## Resolución de problemas

### El láser no se enciende

- Cargue completamente la batería y luego vuelva a instalarla en la unidad láser.
- Si la unidad láser se calienta por encima de 50 °C (120 °F), la unidad no se encenderá. Si el láser se ha almacenado en temperaturas extremadamente calurosas, déjelo enfriar. El nivel láser no se dañará al presionar el botón de encendido/apagado antes de enfriarse a su temperatura correcta de funcionamiento.

### Los rayos láser parpadean (Fig. K)

Los láseres están diseñados para autonivelarse a un promedio de 4° en todas las direcciones. Si el láser se inclina tanto que el mecanismo interno no puede nivelarse, el rayo láser parpadeará indicando que se ha excedido el rango de inclinación. EL RAYO PARPADEANTE CREADO POR EL LÁSER NO ESTÁ A NIVEL O NO PUEDE ESTABLECER LA PLOMADA Y NO DEBE USARSE PARA DETERMINAR O MARCAR EL NIVEL O PLOMADA. Intente cambiar la posición del láser en una superficie más nivelada.

Si le bloc-piles du laser a un état de charge faible, les faisceaux clignotent selon un modèle distinct de 3 clignotements rapides en 1 seconde, suivis d'une lumière constante émise pendant 4 secondes. Le modèle de clignotement indique que le bloc-piles doit être remplacé par un bloc-piles complètement chargé.

### El rayo láser no deja de moverse

El láser es un instrumento de precisión. En consecuencia, si no se coloca en una superficie estable (y estática), el láser continuará intentando encontrar un nivel. Si el rayo no deja de moverse, intente colocar el láser en una superficie más estable. Asimismo, intente asegurarse de que la superficie esté relativamente plana, para que el láser esté estable.

## ACCESORIOS (Fig. L - N)

Algunos juegos de láser están empacados con un soporte para falso techo **13**. El soporte de falso techo contiene una placa de acero y se fija al soporte de pivote magnetizado **6** (Fig. L).

El soporte para falso techo está equipado con roscas hembra de 1/4 - 20 y 5/8 - 11 en la parte inferior de la unidad).

Esta rosca es para acomodar accesorios DEWALT actuales o futuros. Consulte la Fig. T y U para ver ejemplos de accesorios que se venden por separado. Utilice únicamente los accesorios DEWALT especificados para su uso con este producto. Siga las instrucciones incluidas con el accesorio.



**ADVERTENCIA:** *Ya que los accesorios, diferentes a los ofrecidos por DEWALT, no se han probado con este producto, el uso de tales accesorios con esta herramienta podría ser peligroso. Para reducir el riesgo de lesiones, sólo se deben usar accesorios recomendados por DEWALT con este producto.*

Si necesita ayuda para localizar algún accesorio, comuníquese con el centro de servicio DEWALT más cercano o visite [www.DEWALT.com](http://www.DEWALT.com).

### Tarjeta de Objetivo (Fig. O)

Algunos juegos de láser incluyen una tarjeta de objetivo láser para ayudar a localizar y marcar el rayo láser. La tarjeta de objetivo mejora la visibilidad del rayo láser cuando el rayo cruza la tarjeta. La tarjeta está marcada con escalas estándar y métricas. El rayo láser atraviesa el plástico verde semitransparente y se refleja en la cinta reflectante del reverso. El imán en la parte superior de la tarjeta está diseñado para sujetar la tarjeta de objetivo al riel del techo o postes de acero para determinar las posiciones de plomada y nivel. Para obtener el mejor rendimiento al usar la tarjeta de objetivo, el logotipo de DEWALT debe estar frente a usted.

## Servicio y reparaciones


NOTA: Desensamblar el(los) nivel(es) del láser anulará las garantías del producto.

Para garantizar la SEGURIDAD y CONFIABILIDAD del producto, las reparaciones, mantenimiento y ajustes deben ser realizados por centros de servicio autorizados. El servicio o mantenimiento realizado por personal no calificado podría resultar en riesgo de lesiones.

Para ubicar el centro de servicio DEWALT más cercano llame al 1-800-4-DEWALT (1-800-433-9258) o visite [www.DEWALT.com](http://www.DEWALT.com).

## Garantía

Vaya a [www.DEWALT.com](http://www.DEWALT.com) para obter informações sobre garantia.

	<b>DCLE34021, DCLE34022</b>
Fuente de luz	Diodos láser
Longitud de onda láser	510 – 530nm visible
Potencia de láser	≤1.50 mW (cada rayo) PRODUCTO LÁSER CLASE 2
Rango de trabajo	55 m (180') 100 m (330') con detector
Precisión (Plomada)	±1/8" cada 30' (±3.1mm cada 9 m)
Precisión (Nivel)	±1/8" cada 30' (±3.1mm cada 9 m)
Batería baja	Los rayos láser parpadean con 3 pulsos rápidos
Parpadeos continuos Rayos láser	Rango de inclinación excedido/unidad no nivelada
Fuente de energía	DEWALT Paquete de batería 20V
Temperatura de funcionamiento	4 °C à 40 °C (39.2 °F à 104 °F)
Temperatura de almacenamiento	4 °C à 40 °C (39.2 °F à 104 °F)
Humedad	Humedad relativa máxima de 80 % para temperaturas de hasta 31 °C disminuyendo linealmente a 50 % de humedad relativa a 40 °C
Ambiental	Resistente a agua y polvo conforme a IP54. Aplica al producto, no al paquete de batería o cargador.  <b>ADVERTENCIA:</b> Este producto (sin incluir el paquete de batería o cargador) tiene una clasificación IP que proporciona cierto nivel de protección contra polvo (ingreso limitado) y líquidos (salpicadura ligera) durante el uso normal u razonablemente previsible. El paquete de batería y cargador no tienen una clasificación IP por sí mismos. NUNCA sumerja el producto, la batería o el cargador en líquido.
Altitude	Up to 2000m (6500')





**Compatible battery packs and chargers / Blocs-piles et chargeurs compatibles /  
Baterías y cargadores compatibles**

<b>20V Max* Li-Ion</b>	Battery Packs Blocs-piles Baterías	DCB200, DCB201, DCB203, DCB204, DCB204BT**, DCB205, DCB205BT**, DCB230, DCB240, DCBP034
	Chargers Chargeurs Cargadores	DCB103, DCB104, DCB107, DCB112, DCB113, DCB115, DCB118, DCB132, DCB1106, DCB1112

\* Maximum initial battery voltage (measured without a workload) is 20, 60 or 120 volts. Nominal voltage is 18, 54 or 108. (120V Max\* is based on using 2 DeWALT 60V Max\* lithium-ion batteries combined.)

\* La tension initiale maximum du bloc-piles (mesurée à vide) est de 20, 60 ou 120 volts. La tension nominale est de 18, 54 ou 108. (120 V max\* se base sur l'utilisation combinée de 2 blocs-piles au lithium ion DeWALT de 60 V max\*).

\* El máximo voltaje inicial de la batería (medido sin carga de trabajo) es 20 o 60 voltios. El voltaje nominal es de 18, 54 o 108 V. (120 V Máx\* se basan en el uso de 2 baterías de iones de litio DeWALT de 60 V Máx\* combinadas.)

\*\*BT - Bluetooth®

**NOTE:** The Bluetooth® word mark and logos are registered trademarks owned by the Bluetooth® SIG, Inc. and any use of such marks by DeWALT is under license. Other trademarks and trade names are those of their respective owners.

**REMARQUE :** le mot servant de marque et les logos Bluetooth® sont des marques déposées appartenant à Bluetooth SIG, Inc. et toute utilisation de ces marques par DeWALT est sous licence. Les autres marques de commerce et noms commerciaux sont ceux de leurs détenteurs respectifs.

**NOTA:** La palabra y los logotipos de Bluetooth® son marcas registradas propiedad de Bluetooth®, SIG, Inc. y DeWALT utiliza dichas marcas bajo licencia. Otras marcas comerciales y nombres comerciales pertenecen a sus respectivos propietarios.



**WARNING:** Use of any other battery packs may create a risk of injury and fire.



**AVERTISSEMENT :** utiliser d'autres blocs-piles peut créer un risque de blessure ou d'incendie.



**ADVERTENCIA:** El uso de cualquier otro paquete de batería puede crear un riesgo de lesiones e incendio.

Type 1

Made in China

Fabriqu  en Chine

Hecho en China

Type 2

Made in Vietnam

Fabriqu  en Vietnam

Hecho en Vietnam

DeWALT Industrial Tool Co. 701 East Joppa Road, Towson, MD 21286

Copyright © 2022

The following are trademarks for one or more DeWALT power tools: the yellow and black color scheme, the "D" shaped air intake grill, the array of pyramids on the handgrip, the kit box configuration, and the array of lozenge-shaped humps on the surface of the tool.