

DEWALT®



**Instruction Manual
Guide D'utilisation
Manual de instrucciones**

DCLE14201G

**Green Cross Line Laser
Laser à ligne croisée verte
Láser de Línea Cruzada Verde**

DCLE14201R

**Red Cross Line Laser
Laser à ligne croisée rouge
Láser de Línea Cruzada Roja**

www.DEWALT.com

**If you have questions or comments, contact us.
Pour toute question ou tout commentaire, nous contacter.
Si tiene dudas o comentarios, contáctenos.**

1-800-4-DEWALT

Components

- 1 Keyhole slot
- 2 Laser head
- 3 Laser window
- 4 Laser label location
- 5 USB port cover
- 6 Magnetic pivot bracket
- 7 Brightness control button
- 8 Pendulum lock indicator
- 9 Laser detector (Fig. N)
- 10 Battery meter
- 11 Horizontal laser line on/off button
- 12 Vertical laser line on/off button
- 13 Pendulum lock/unlock and power switch
- 14 Fine adjust knob
- 15 USB cable
- 16 Power supply

Composants

- 1 Fente pour trou de serrure
- 2 Tête laser
- 3 Fenêtre laser
- 4 Emplacement de l'étiquette du laser
- 5 Couverture du port USB
- 6 Support pivotant magnétique
- 7 Bouton de réglage de la luminosité
- 8 Voyant de verrouillage du pendule
- 9 Détecteur de laser (Fig. N)
- 10 Compteur de batterie
- 11 Bouton d'activation et de désactivation de la ligne laser horizontale
- 12 Bouton d'activation et de désactivation de la ligne laser verticale
- 13 Verrouillage/déverrouillage du pendule et interrupteur d'alimentation
- 14 Molette de réglage fin
- 15 Câble USB
- 16 Alimentation électrique

Componentes

- 1 Ranura de cerradura
- 2 Cabezal láser
- 3 Ventana láser
- 4 Ubicación de etiqueta de láser
- 5 Cubierta de puerto USB
- 6 Soporte de pivote magnético
- 7 Botón de control de brillo
- 8 Indicador de bloqueo de péndulo
- 9 Detector láser (Fig. N)
- 10 Medidor de batería
- 11 Botón de encendido/apagado de línea láser horizontal
- 12 Botón de encendido/apagado de línea láser vertical
- 13 Interruptor de bloqueo/desbloqueo de péndulo y energía
- 14 Perilla de ajuste fino
- 15 Cable USB
- 16 Suministro de energía

Fig. A

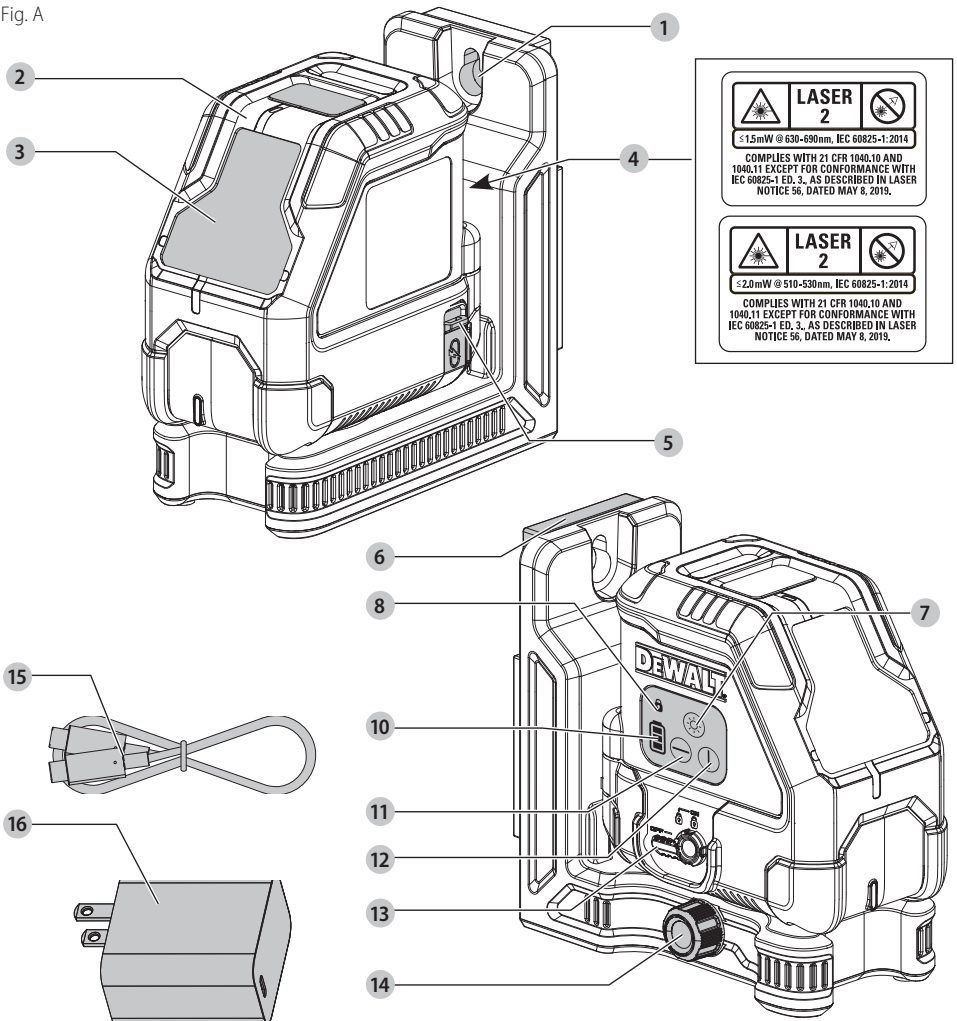


Fig. B

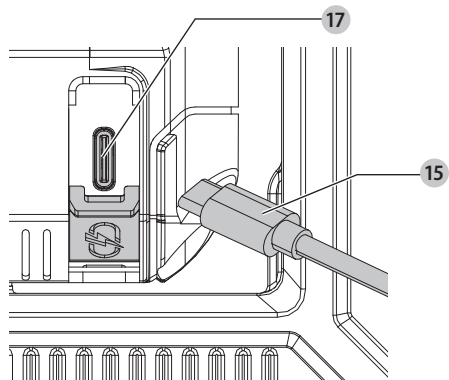


Fig. C

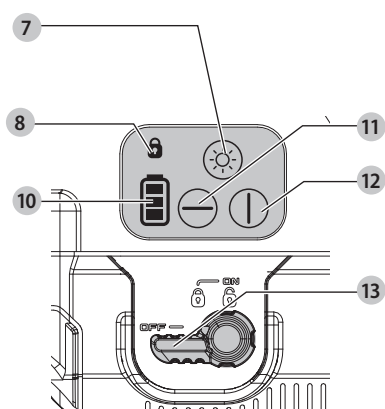


Fig. D

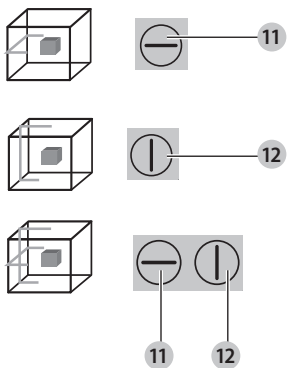
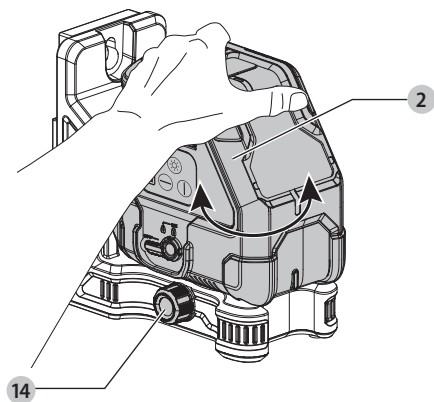


Fig. E

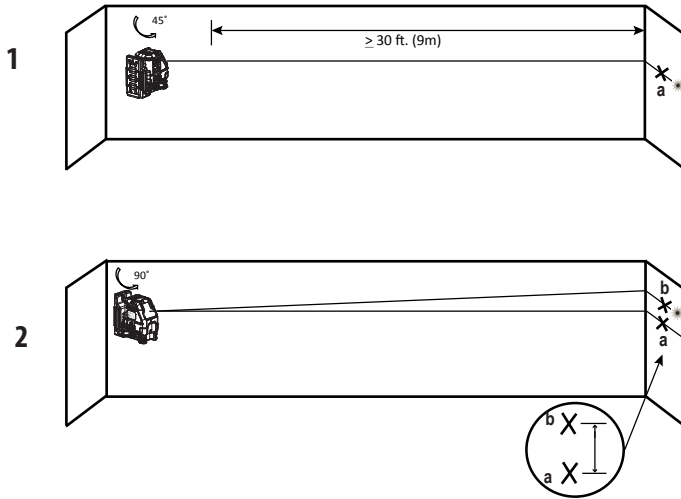


Fig. F

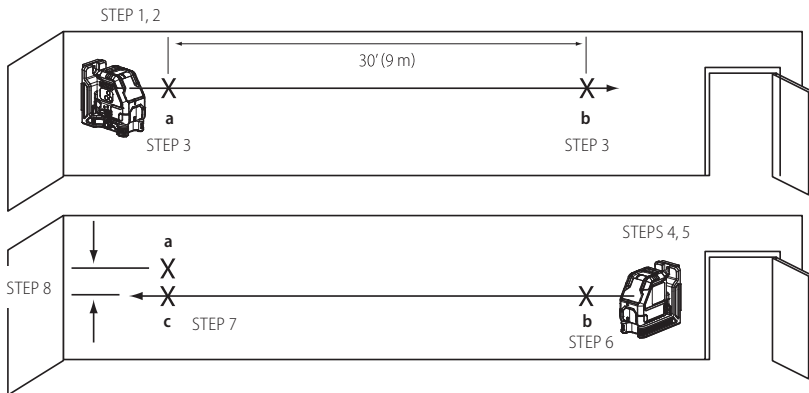


Fig. G

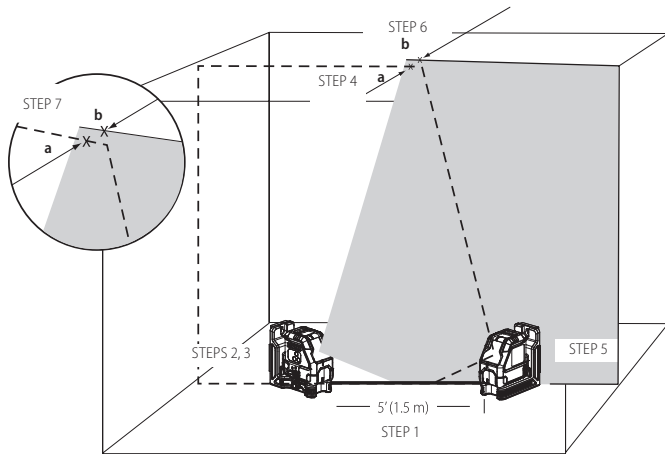


Fig. H

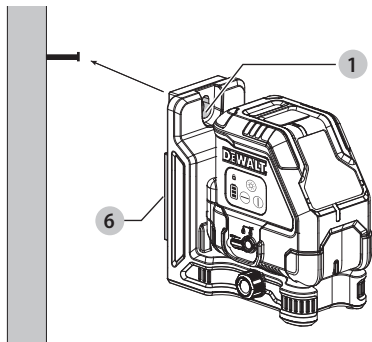


Fig. I

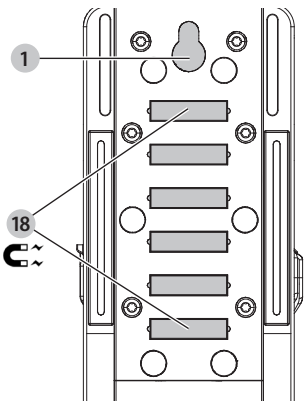


Fig. J

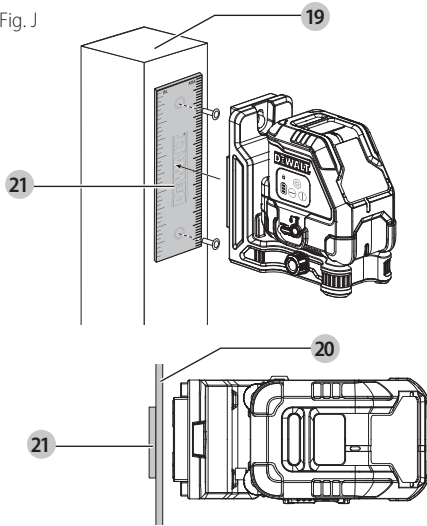


Fig. K

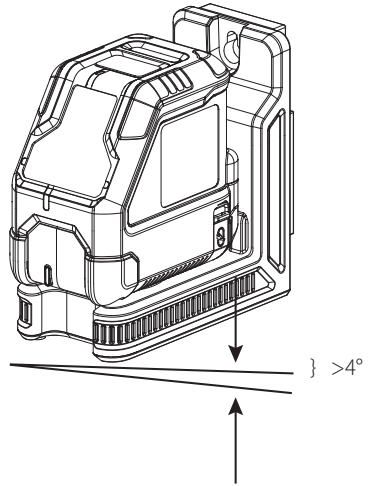


Fig. L

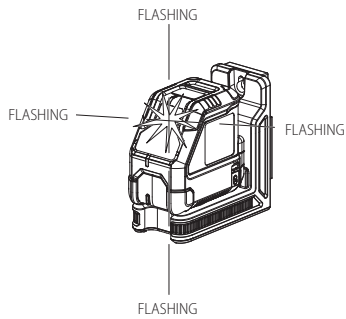


Fig. M

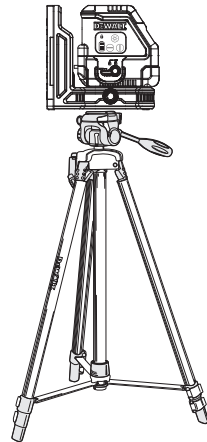
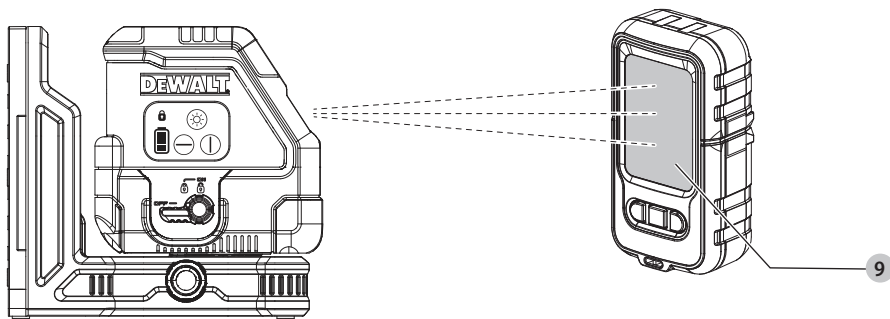


Fig. N





WARNING: Read all safety warnings and all instructions. Failure to follow the warnings and instructions may result in electric shock, fire and/or serious injury.



WARNING: To reduce the risk of injury, read the instruction manual.

Laser Information

The DCLE14201 Cross Line Laser is a Class 2 laser product. It is a self-leveling laser tool that can be used for horizontal (level) and vertical (plumb) alignment projects.

This product complies with 21 CFR 1040.10 and 1040.11 except for conformance with IEC 60825-1 Ed. 3., as described in Laser Notice No. 56, dated May 8, 2019.

- Conforms to UL STDS 61010-1 & 2595
- Certified to CSA STD C22.2 No. 61010-1

Supplier's Declaration of Conformity
47 CFR § 2.1077 Compliance Information

Unique Identifier: DCLE14201G, DCLE14201R
Responsible Party – U.S. Contact Information
DEWALT

701 East Joppa Road
Towson, Maryland 21286

www.DEWALT.com

FCC Compliance Statement

This equipment has been tested and found to comply with the limits for a Class B digital device, pursuant to Part 15 of the FCC Rules. These limits are designed to provide reasonable protection against harmful interference in a residential installation. This equipment generates, uses and can radiate radio frequency energy and, if not installed and used in accordance with the instructions, may cause harmful interference to radio communications. However, there is no guarantee that interference will not occur in a particular installation. If this equipment does cause harmful interference to radio and television reception, which can be determined by turning the equipment off and on, the user is encouraged to try to correct the interference by one or more of the following measures:

- Reorient or relocate the receiving antenna.

- Increase the separation between the equipment and receiver.
- Connect the equipment into an outlet on a circuit different from that to which the receiver is connected.
- Consult the dealer or an experienced radio/TV technician for help.

USER SAFETY

Safety Guidelines

The definitions below describe the level of severity for each signal word. Please read the manual and pay attention to these symbols.



DANGER: Indicates an imminently hazardous situation which, if not avoided, will result in death or serious injury.



WARNING: Indicates a potentially hazardous situation which, if not avoided, could result in death or serious injury.



CAUTION: Indicates a potentially hazardous situation which, if not avoided, may result in minor or moderate injury.

NOTICE: Indicates a practice not related to personal injury which, if not avoided, may result in property damage.

If you have any questions or comments about this or any DeWALT tool,
call **1-800-4-DeWALT (1-800-433-9258)**
or go to www.DeWALT.com.



WARNING: Never modify the tool or any part of it. Damage to the laser or personal injury could result.



WARNING: Read and understand all instructions. Failure to follow the warnings and instructions may result in electric shock, fire and/or serious injury.

SAVE THESE INSTRUCTIONS



WARNING: Laser Radiation Exposure. Do not disassemble or modify the laser level. There are no user serviceable parts inside. Serious eye injury could result.

ENGLISH



WARNING: Hazardous Radiation. Use of controls or adjustments or performance of procedures other than those specified herein may result in hazardous radiation exposure.



CAUTION: Keep fingers clear of the back plate and stud when mounting with magnets. Fingers may become pinched.



CAUTION: Do not stand underneath the laser when it is mounted with the magnet bracket. Serious personal injury or damage to the laser may result if the laser falls.



CAUTION: Laser to be used in upright position.

The label on your laser may include the following symbols.

| Symbol | Meaning |
|--------|--------------------------|
| V | Volts |
| mW | Milliwatts |
| | Laser Warning |
| nm | Wavelength in nanometers |
| 2 | Class 2 Laser |

Warning Labels (Fig. A)

For your convenience and safety, the following labels are on your laser



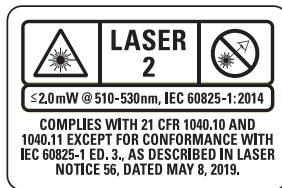
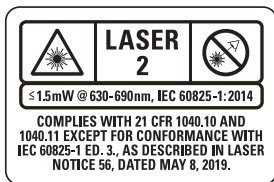
WARNING: To reduce the risk of injury, user must read instruction manual.



WARNING: LASER RADIATION. DO NOT STARE INTO BEAM. Class 2 Laser Product.



WARNING: Keep clear of magnet. Magnet hazard can disturb pacemaker operation and result in serious injury or death.



- **If the equipment is used in a manner not specified by the manufacturer, the protection provided by the equipment may be impaired.**
- **Do not operate the laser level in explosive atmospheres, such as in the presence of flammable liquids, gases, or dust.** This laser level may create sparks which may ignite the dust or fumes.
- **Store an idle laser level out of reach of children and other untrained persons.** Lasers are dangerous in the hands of untrained users.
- **Tool service MUST be performed by qualified repair personnel.** Service or maintenance performed by unqualified personnel may result in injury. To locate your nearest DEWALT service center go to www.DEWALT.com.
- **Do not use optical tools such as a telescope or transit to view the laser beam.** Serious eye injury could result.
- **Do not place the laser level in a position which may cause anyone to intentionally or unintentionally stare into the laser beam.** Serious eye injury could result.
- **Do not position the laser level near a reflective surface which may reflect the laser beam toward anyone's eyes.** Serious eye injury could result.
- **Turn the laser level off when it is not in use.** Leaving the laser level on increases the risk of staring into the laser beam.
- **Do not modify the laser level in any way.** Modifying the laser level may result in hazardous laser radiation exposure.
- **Do not operate the laser level around children or allow children to operate the laser level.** Serious eye injury may result.

- **Do not remove or deface warning labels.** If labels are removed, the user or others may inadvertently expose themselves to radiation.
- **Position the laser level securely on a level surface.** If the laser level falls, damage to the laser level or serious injury could result.

Personal Safety

- Stay alert, watch what you are doing, and use common sense when operating the laser level. Do not use the laser level when you are tired or under the influence of drugs, alcohol, or medication. A moment of inattention while operating the laser level may result in serious personal injury.
- Use personal protective equipment. Always wear eye protection. Depending on the work conditions, wearing protective equipment such as a dust mask, non-skid safety shoes, hard hat, and hearing protection will reduce personal injury.

Laser Level Use and Care

- Do not use the laser level if the pendulum lock/unlock and power switch do not turn the laser level on or off. Any laser level that cannot be controlled with the switch is dangerous and must be repaired.
- Follow instructions in the **Maintenance** section of this manual. Use of unauthorized parts or failure to follow **Maintenance** instructions may create a risk of electric shock or injury.

Important Safety Instructions for All

Integral Battery Charging



WARNING: Read all safety warnings, instructions, and cautionary markings for the battery, USB cable and product. Failure to follow the warnings and instructions may result in electric shock, fire and/or serious injury.



WARNING: Use the recommended power adapter PD045E-D1COAVU (5-20V, <=3.0A). If your laser level was not sold with this charger, use a certified

power adapter that is compliant with applicable country regulations and international/regional safety standards with an output of 5-20V, 3A. The power adapter **MUST** be a Class 2 power supply. Using adapters that do not meet applicable safety standards could result in injury.

- Charge this laser every month if not in constant use, and after each use when used often to ensure battery longevity.
- The provided USB cable is not intended for any uses other than charging DEWALT rechargeable tools with USB ports. Charging other types of tools may cause their batteries to overheat and burst, resulting in personal injury, property damage, fire, electric shock or electrocution.
- DO NOT expose USB cable to water, rain or snow.
- Pull by the plugs rather than the cord when disconnecting the USB cable. This will reduce the risk of damage to the plugs and cord.
- Make sure that the cord is located so that it will not be stepped on, tripped over or otherwise subjected to damage or stress.
- DO NOT use a USB cable with a damaged cord or plugs. Have them replaced immediately.
- Foreign materials of a conductive nature, such as, but not limited to, grinding dust, metal chips, steel wool, aluminum foil or any buildup of metallic particles should be kept away from the USB plugs and port.
- Always unplug the USB cable from the power supply when there is no tool attached to it.

DCLE14201G

Rechargeable Li-ion Battery
 Model: NA750671 3INR19/66
 10.8V 2.0Ah 21.6Wh
 Black & Decker(Suzhou) Co., Ltd.
 2025 24-47

DCLE14201R

Rechargeable Li-ion Battery
 Model: NB103768 INR19/66
 3.6V 2.0Ah 7.2Wh
 Black & Decker(Suzhou) Co., Ltd.
 2025 24-47

Charging Procedure (Fig. A, B)



WARNING: The power adapter **MUST** be a Class 2 power supply.

1. Pull the USB charging port cover **5** away from the laser level.
2. Insert the USB cable **15** into the USB charging port **17**.
3. Plug the USB cable **15** into power supply **16**.
4. Plug the power supply into a wall outlet.
5. Charging is complete when all three bars of the battery meter **10** light up on the side of the laser level. The battery can be left charging or the USB cable can be disconnected.

Important Charging Notes

1. The laser level may become warm to the touch while charging. This is a normal condition, and does not indicate a problem. To facilitate the cooling of the laser level after use, avoid placing the laser level in a warm environment such as in a metal shed or an uninsulated trailer.
2. If the laser level does not charge properly, take the laser level and USB cable to your local service center.
3. You may charge a partially used battery whenever you desire with no adverse effect on the laser level.

NOTE: The laser level may be used while charging.

Hot and Cold Condition

On charging, when the temperature is 104 °F (40 °C) or higher (hot condition) or 39 °F (4 °C) or colder (cold condition), the charging is turned off and the following battery state of charge pattern will flash:



Until the temperature is between 104 °F (40 °C) and 39 °F (4 °C), the charging will not turn on and the indication shown above will continue.

Viewing the Battery Meter (Fig. A, C)

When the laser level is ON, the state of battery meter **10** on the keypad indicates how much power remains.

- All three LEDs will flash when the battery level is low (< 10%). The laser level may continue to operate for a short time while the battery power continues to drain.
- After the battery is charged, and the laser level is turned ON again, the battery indicator level will indicate full capacity.
- If any or all of the LEDs on the battery meter remain ON, this indicates that the laser level is not fully powered OFF. When the laser level is not in use, make sure the pendulum lock/unlock and power switch **13** is placed to the DOWN Locked/OFF position.

| BATTERY METER LED | STATE OF CHARGE |
|-------------------|-----------------------------|
| | Battery is 70%–100% charged |
| | Battery is 50%–70% charged |
| | Battery is 10%–50% charged |



Battery is < 10% charged



Battery is < 10% charged, unit is charging

OPERATING TIPS

- To extend battery life per charge, turn the laser level off when it is not in use.
- Lowering the brightness of laser level increases battery life.
- To ensure the accuracy of your work, check the laser level calibration often. Refer to **Checking Laser Accuracy**.
- Before attempting to use the laser level, make sure it is positioned securely, on a smooth, flat stable surface that is level in both directions.



CAUTION: To reduce the risk of serious injury, never stare directly into the laser beam with or without glasses.

- Always mark the center of the beam created by the laser level.
- Extreme temperature changes can cause movement or shifting of building structures, metal tripods, equipment, etc., which can affect accuracy. Check your accuracy often while working.
- If the laser level has been dropped, check to make sure your laser level is still calibrated. Refer to **Checking Laser Accuracy**.

Turning the Laser On (Fig. C)

Your laser level is equipped with a three-position pendulum lock/unlock and power switch **13**.

- **Horizontal position:** Power off
- **Middle position:** Manual Slope Mode (Power On, Pendulum Locked)
- **Vertical position:** Self-Leveling Mode (Power On, Pendulum Unlocked)

The laser beams will turn on automatically if the pendulum lock/unlock and power switch is moved from the horizontal position to either the middle position or the vertical position.

Self-Leveling Mode

When the switch is placed in the vertical position, the laser will self-level as long as the surface the laser level is placed on is less than 4 ° tilt.

With the laser level off, place it on a flat surface. This model has a keypad to activate the laser beams with two buttons; one for a horizontal laser line **11** and one for a vertical laser line **12**. Each laser line is powered on by moving the pendulum lock/unlock and power switch to the UNLOCKED/ON position and pressing the required laser line button on the keypad. The laser lines can be powered one at a time or at the same time. Pressing the laser line buttons again turns the laser lines off. The pendulum lock/unlock and power switch disables the lasers as well as locks the pendulum, and should always be placed in the LOCKED/OFF position when the laser level is not in use.

Manual Slope Mode

When the switch is placed in the middle position, the laser unit is in manual slope mode. The laser will not self level in this mode and is used in situations where a fixed laser line is required.

NOTE: The laser is NOT LEVEL when the pendulum lock indicator **8** is illuminated, and the beams will flash 3 times every 10 seconds to further indicate this.

Laser Line Brightness (Fig. A, O)

The brightness of the laser lines can be adjusted by pressing the brightness control button **7** on the keypad which will cycle through high, medium, and low brightness.

Rotating the Laser Head (Fig. D)

The laser head **2** is permanently attached to the laser level base. This laser head can be manually rotated by hand by gripping the laser head and rotating, or by using the fine adjust knob **14** for smaller, more precise movements.

Checking Laser Accuracy

The laser levels are calibrated and sealed at the factory. **It is recommended that you perform an accuracy check prior to using the laser level for the first time** (in case the laser level was exposed to extreme temperatures) and then regularly to ensure the accuracy of your work. When performing any of the accuracy checks listed in this manual, follow these guidelines:

- Use the largest area/distance possible, closest to the operating distance. The greater the area/distance, the easier to measure the accuracy of the laser. Refer to **Field Calibration Check**.
- Place the laser level on a smooth, flat, stable surface that is level in both directions.
- Mark the center of the laser line.

Field Calibration Check

Checking Accuracy – Horizontal Beam, Scan Direction (Fig. E)

Checking the horizontal scan calibration of the laser level requires two walls at least 30' (9 m) apart. It is important to conduct a calibration check using a distance no shorter than the distance of the applications for which the tool will be used.

1. Place the laser on a smooth, flat, stable surface that is level in both directions.
2. Power on the laser and slide the pendulum lock/unlock and power switch **13** to the vertical position. Refer to **Turning the Laser On**.
3. Turn on the laser level's horizontal beam and pivot the laser level approximately 45° so that the right-most end of the laser line is striking the opposing wall at a distance of at least 30' (9 m). Mark (a) on the opposing wall.
4. Pivot the laser level approximately 90° to bring the left-most end of the laser line around to mark (a). Mark the center of the beam (b).
5. Measure the vertical distance between the marks (a and b).

- If the measurement is greater than the values shown below, the laser level must be serviced at an DEWALT service center.

| Distance Between Walls | Allowable Distance Between a and b |
|------------------------|------------------------------------|
| 30' | 1/8" |
| 40' | 5/32" |
| 50' | 7/32" |

| Distance Between Walls | Allowable Distance Between a and b |
|------------------------|------------------------------------|
| 9.0 m | 3.1 mm |
| 12.0 m | 4.2 mm |
| 15.0 m | 5.2 mm |

Checking Accuracy – Horizontal Beam, Pitch Direction (Fig. F)

Checking the horizontal pitch calibration of the laser level requires a single wall at least 30' (9 m) long. It is important to conduct a calibration check using a distance no shorter than the distance of the applications for which the tool will be used.

1. Attach the laser level to one end of a wall using its pivot bracket.
2. Power on the laser and slide the pendulum lock/unlock and power switch **13** to the vertical position. Refer to **Turning the Laser On**.
3. Turn on the laser level's horizontal beam and pivot the laser level toward the opposite end of the wall and approximately parallel to the adjacent wall.
4. Mark the center of the beam at two locations (a, b) at least 30' (9 m) apart.
5. Reposition the laser level to the opposite end of the wall.
6. Turn on the laser level's horizontal beam and pivot the laser level back toward the first end of the wall and approximately parallel to the adjacent wall.
7. Adjust the height of the laser level so that the center of the beam is aligned with the nearest mark (b).
8. Mark the center of the beam (c) directly above or below the farthest mark (a).

- Measure the distance between these two marks (a, c).
- If the measurement is greater than the values shown below, the laser level must be serviced at an authorized service center.

| Distance Between Walls | Allowable Distance Between a and c |
|------------------------|------------------------------------|
| 30' | 1/4" |
| 40' | 5/16" |
| 50' | 13/32" |

| Distance Between Walls | Allowable Distance Between a and c |
|------------------------|------------------------------------|
| 9.0 m | 6.2 mm |
| 12.0 m | 8.3 mm |
| 15.0 m | 10.4 mm |

Checking Accuracy – Vertical Beam (Fig. G)

Checking the vertical (plumb) calibration of the laser level can be most accurately done when there is a substantial amount of vertical height available, ideally 20' (6 m), with one person on the floor positioning the laser level and another person near a ceiling to mark the position of the beam. It is important to conduct a calibration check using a distance no shorter than the distance of the applications for which the tool will be used.

- Start by marking a 5' (1.5 m) line on the floor.
- Power on the laser and slide the pendulum lock/unlock and power switch **13** to the vertical position. Refer to **Turning the Laser On**.
- Turn on the laser level's vertical beam and position the unit at one end of the line, facing the line.
- Adjust the unit so its beam is aligned and centered on the line on the floor.
- Mark the position of the laser beam on the ceiling (a). Mark the center of the laser beam directly over the midpoint of the line on the floor.
- Reposition the laser level at the other end of the line on the floor. Adjust the unit once again so its beam is aligned and centered on the line on the floor.

- Mark the position of the laser beam on the ceiling (b), directly beside the first mark (a).
- Measure the distance between these two marks.
- If the measurement is greater than the values shown below, the laser level must be serviced at an authorized service center.

| Distance Between Floor and Ceiling | Allowable Distance Between a and b |
|------------------------------------|------------------------------------|
| 8' | 1/16" |
| 10' | 3/32" |
| 14' | 1/8" |
| 20' | 3/16" |

| Distance Between Floor and Ceiling | Allowable Distance Between a and b |
|------------------------------------|------------------------------------|
| 2.5 m | 1.7 mm |
| 3.0 m | 2.1 mm |
| 4.0 m | 2.8 mm |
| 6.0 m | 4.1 mm |

Using the Laser (Fig. K)

Leveling the Laser

As long as the laser level is properly calibrated, the laser level is self-leveling (in pendulum unlocked mode). Each laser level is calibrated at the factory to find level as long as it is positioned on a flat surface within average $\pm 4^\circ$ of level. No manual adjustments are required.

If the laser level has been tilted so much that it cannot self-level ($> 4^\circ$), the laser beam will flash. There are two flashing sequences associated with the out of level condition.

- In pendulum unlocked mode, the laser diode blinks continuously.
- In manual slope mode, the laser diode blinks three times every ten seconds (total cycle), repeating this pattern continuously.

When the beams flash THE LASER LEVEL IS NOT LEVEL (OR PLUMB) AND SHOULD NOT BE USED FOR DETERMINING OR MARKING LEVEL OR PLUMB.

Fine Adjust (Fig. A)

The fine adjustment knob **14** on the side of the laser level is for lining up the vertical beam. Place the laser level on a flat surface and turn the knob to the right (clockwise) to rotate the laser level to the left, or to the left (counterclockwise) to move the beam to the right.

Using the Pivot Bracket (Fig. H, I)

The laser level has a magnetic pivot bracket **6** permanently attached to the unit.



WARNING: Position the laser level and/or wall mount on a stable surface. Serious personal injury or damage to the laser level may result if the laser level falls.

- The bracket has a keyhole slot **1** so it can be hung from a nail or screw on any kind of surface.
- The bracket has magnets **18** which allow the unit to be mounted to most upright surfaces made of steel or iron. Common examples of suitable surfaces include steel framing studs, steel door frames, and structural steel beams.

Multi-Surface Mounting Plate (Fig. I, J)

1. To attach the laser level to a wooden stud **19**, screw in multi-surface mounting plate **21** first and mount laser level using the laser's magnets **18**.
2. To attach the laser level to a metal stud **20**, sandwich the metal stud between the multi-surface mounting plate **21** and the laser's magnets **18**. Placing the multi-surface mounting plate behind the metal stud will significantly increase the magnetic strength and holding capacity of the laser level.

MAINTENANCE

Your laser level has been designed to operate over a long period of time with a minimum of maintenance. Continuous satisfactory operation depends upon proper tool care and regular cleaning.



WARNING: To reduce the risk of serious personal injury, turn laser level off before making any

adjustments or removing/installing attachments or accessories. An accidental start-up can cause injury.

- To maintain the accuracy of your work, check the laser level often to make sure it is properly calibrated. Refer to **Field Calibration Check**.
- Calibration checks and other maintenance repairs may be performed by DEWALT service centers.
- Do not store your laser level in the case if the laser level is wet. The laser level should be dried first with a soft dry cloth prior to storage.
- Do not use in rain.

Cleaning



WARNING: Never use solvents or other harsh chemicals for cleaning the non-metallic parts of the laser level. These chemicals may weaken the materials used in these parts. Use a cloth dampened only with water and mild soap. Never let any liquid get inside the laser level; never immerse any part of the laser level into a liquid.

Exterior plastic parts may be cleaned with a damp cloth. Although these parts are solvent resistant, NEVER use solvents. Use a soft, dry cloth to remove moisture from the laser level before storage.

TROUBLESHOOTING

The Laser Level Does Not Turn On (Fig. A)

- Fully charge the battery.
- If the laser level is exposed to extremely hot/cold temperatures, the battery meter **10** will flash. Refer to **Hot and Cold Condition**. If the laser level has been stored in extremely hot temperatures, allow it to cool. The laser level will not be damaged by pressing the on/off button before cooling to its proper operating temperature.

The Laser Beams Flash (Fig. L)

In manual slope mode, flashing will occur 3 times every 10 seconds regardless of tilt, to remind the user they are in manual slope mode.

In unlocked mode, if the laser unit is tilted more than 4°, the unit will flash every second, to indicate that while they are in self leveling mode, the unit is too tilted to properly self level.

THE FLASHING BEAMS CREATED BY THE LASER LEVEL ARE NOT LEVEL OR PLUMB AND SHOULD NOT BE USED FOR DETERMINING OR MARKING LEVEL OR PLUMB. Try repositioning the laser level on a more level surface.

If the laser level battery has a low state of charge, the beams will flash in a distinctive pattern of 3 quick flashes in 1 second, followed by constant light output for 4 seconds. This flashing pattern indicates that the battery should be recharged.

The Laser Beams Will Not Stop Moving


The laser level is a precision instrument. Therefore, if it is not positioned on a stable (and motionless) surface, the laser level will continue to try to find level. If the beam will not stop moving, try placing the laser level on a more stable surface. Also, try to make sure that the surface is relatively flat, so that the laser level is stable.

Accessories (Fig. M)

The laser level is equipped with a 1/4"-20 and 5/8"-11 threads on the bottom of the unit to accommodate current or future DEWALT accessories, such as a tripod.

Fig. M shows an example of accessories that are sold separately from these laser levels. Only use DEWALT accessories specified for use with this product. Follow the directions included with the accessory.

Laser Detector (Fig. N)

The laser detector  (sold separately) allows the laser line to be detected at much further distances than the visible range. Refer to the laser detector user manual for details on proper usage.

DW0892 for the DCLE14201R red laser.
DW0892G for the DCLE14201G green laser.



WARNING: *Since accessories, other than those offered by DEWALT, have not been tested with this product, use of such accessories with this laser level could be hazardous. To reduce the risk of injury, only DEWALT recommended accessories should be used with this product.*

If you need any assistance in locating any accessory, please contact your nearest DEWALT dealer, or go to www.DEWALT.com.

Service and Repairs

NOTE: Disassembling the laser level will void all warranties on the product.

The battery can be replaced by the DEWALT service centers. To assure product SAFETY and RELIABILITY, repairs, maintenance and adjustment should be performed by authorized service centers. Service or maintenance performed by unqualified personnel may result in a risk of injury. To locate your nearest DEWALT service center, go to www.toolservicenet.com.

Quebec Disclosure

We do not guarantee the availability of replacement parts, repair services or information necessary to maintain or repair products subject to and under the meaning of the Quebec Consumer Protection Act, as amended by Bill 29.

Warranty

Go to www.DEWALT.com for the latest warranty information.

End of Life Battery Disposal

This product contains internal Lithium Ion rechargeable and recyclable cells. When the product is no longer usable or batteries no longer hold a charge, they should be recycled. They must not be incinerated, composted, thrown in trash or placed in single stream, curbside recycling. In some areas, it is illegal to place rechargeable batteries in trash.

ENGLISH


- Consult your local municipality for proper disposal instructions for your city/town.

- Or visit www.TerraCycle.com and search “DEWALT” to find our recycling program.

- Or go to www.toolservicenet.com, **Find Nearest Service Center** to find a center near you.

- Or visit www.dewalt.com/support.

Specifications

| | DCLE14201G, DCLE14201R |
|------------------------------|---|
| Light Source | Laser diodes |
| Laser Wavelength | Green: 510 nm–530 nm visible, Red: 630 nm–690 nm visible |
| Laser Power | 2.0 mW (green), 1.5mW (red) CLASS 2 LASER PRODUCT |
| Working Range | Green: 150' (45 m), Red: 100' (30 m) Green 330' (100 m) with detector (sold separately). Red 165' (50 m) (sold separately) |
| Accuracy (Plumb) | ±1/8" per 30' (±3.1 mm per 9 m) |
| Accuracy (Level) | ±1/8" per 30' (±3.1 mm per 9 m) |
| Battery Low | 3 LEDs Flashing on Battery meter |
| Flashing Laser Beams | 3 times every 10 seconds in manual slope mode, Continuously in self-leveling mode |
| Power Source | Integral Li-Ion Battery or AC Mains |
| USB Input | 5–20V, ≤ 3.0 A |
| AC Mains Power Adapter Input | 100–240Vac, 50/60Hz, 1.0A |
| Operating Temperature | 32 °F to 122 °F (0 °C to 50 °C) |
| Charging Temperature | 39 °F to 104 °F (4 °C to 40 °C) |
| Storage Temperature | -5 °F to 140 °F (-20 °C to 60 °C) |
| Humidity | Maximum relative humidity 80% for temperatures up to 88 °F (31 °C), decreasing linearly to 50% relative humidity at 104 °F (40 °C) |
| Environmental | Water & Dust Resistant to IP54.  WARNING: This product has an IP rating which provides some level of protection from dust (limited ingress) and liquids (light splashing) during normal and reasonably foreseeable use. The remote has an IP rating of IP54. NEVER submerge the laser, USB cord, power supply or remote in liquid. |
| Altitude | < 6500' (2000 m) |



AVERTISSEMENT : lisez tous les avertissements de sécurité et toutes les instructions. Ne pas suivre les avertissements et les instructions peut entraîner un choc électrique, un incendie et/ou des blessures graves.



AVERTISSEMENT : pour réduire le risque de blessure, lisez le guide d'utilisation.

Renseignements sur le laser

Le laser à ligne croisée DCLE14201 est un produit laser de classe 2. C'est un outil laser à niveau automatique qui peut être utilisé pour les projets d'alignements horizontaux (niveau) et verticaux (aplomb).

Ce produit est conforme aux normes 21 CFR 1040.10 et 1040.11, à l'exception de la conformité à la norme CEI 60825-1 Ed. 3, telle que décrite dans la notice laser N° 56 en date du 8 mai 2019.

- Conforme aux normes UL STDS 61010-1 et 2595
- Certifié selon la norme CSA STD C22.2 No. 61010-1

Déclaration de conformité du fournisseur
47 CFR § Informations de confirmation 2.1077

Identifiant unique : DCLE14201G, DCLE14201R

Coordonnées du responsable américain

DEWALT

701 East Joppa Road

Towson, Maryland 21286

www.DEWALT.com

Déclaration de conformité de la FCC

Cet équipement a été testé et est conforme aux limites des appareils numériques de classe B, en vertu de la partie 15 des règles de la FCC. Ces limites sont prévues pour offrir une protection raisonnable contre le brouillage préjudiciable dans une installation résidentielle. Cet équipement génère, utilise et peut émettre de l'énergie de fréquence radio et, s'il n'est pas installé conformément aux instructions, peut causer du brouillage préjudiciable aux communications radio. Cependant, il n'y a aucune garantie que le brouillage ne se produira pas durant une installation particulière. Si cet équipement cause un brouillage préjudiciable à la réception

de la radio ou de la télévision, qui peut être déterminé en allumant et en éteignant l'équipement, nous encourageons l'utilisateur à corriger le brouillage par une ou plusieurs des mesures suivantes :

- Réorientez ou déplacez l'antenne de réception.
- Augmentez la distance entre l'équipement et le récepteur.
- Branchez l'équipement dans une prise sur un circuit différent de celui auquel le récepteur est branché.
- Consultez le détaillant ou un technicien en radio/télévision expérimenté pour de l'aide.

SÉCURITÉ DE L'UTILISATEUR

Directives sur la sécurité

Les définitions ci-dessous décrivent le niveau de gravité de chaque mot indicateur. Veuillez lire le guide et porter attention à ces symboles.



DANGER : indique une situation dangereuse imminente qui, si elle n'est pas évitée, causera la mort ou une blessure grave.



AVERTISSEMENT : indique une situation potentiellement dangereuse qui, si elle n'est pas évitée, pourrait causer la mort ou une blessure grave.



ATTENTION : indique une situation potentiellement dangereuse qui, si elle n'est pas évitée, peut causer une blessure mineure ou modérée.

AVIS : indique une pratique non liée à une blessure corporelle qui, si elle n'est pas évitée, peut causer des dommages matériels.

Si vous avez des questions ou des commentaires sur cet outil ou tout outil DeWALT, appelez le **1-800-4-DEWALT (1-800-433-9258)** ou accédez au site www.DEWALT.com.



AVERTISSEMENT : ne jamais modifier l'outil ou toute pièce de celui-ci. Cela pourrait endommager le laser ou causer des blessures corporelles.



AVERTISSEMENT : lisez et comprenez toutes les instructions. Le fait de ne pas suivre les avertissements

FRANÇAIS

et les instructions peut entraîner un choc électrique, un incendie et/ou des blessures graves.

CONSERVEZ CES INSTRUCTIONS



AVERTISSEMENT : exposition au rayonnement laser. Ne pas désassembler ou modifier le niveau du laser. Il n'y a aucune pièce réparable par l'utilisateur. Cela peut causer une blessure grave aux yeux.



AVERTISSEMENT : radiation dangereuse. Utiliser des contrôles ou des ajustements ou la performance des procédures autres que ce qui est indiqué dans le présent document peut entraîner une exposition dangereuse au rayonnement.



ATTENTION : tenez vos doigts à l'écart de la plaque arrière et du montant en installant les aimants. Vous pourriez vous pincer les doigts.



ATTENTION : ne vous tenez pas sous le laser lorsqu'il est installé avec le support d'aimant. Un chute du laser peut entraîner des blessures corporelles graves ou endommager le laser.



ATTENTION : laser à utiliser en position verticale.

L'étiquette sur votre laser peut comporter les symboles suivants.

| Symbole | Signification |
|---------|-------------------------------|
| V | Volts |
| mW | Milliwatts |
| | Avertissement du laser |
| nm | Longueur d'onde en nanomètres |
| 2 | Laser de classe 2 |

Étiquettes d'avertissement (Fig. A)

Pour votre confort et votre sécurité, les étiquettes suivantes se trouvent sur votre laser.



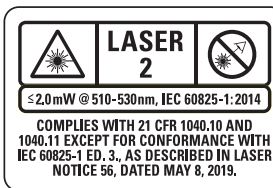
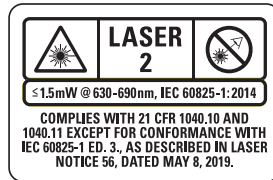
AVERTISSEMENT : pour réduire le risque de blessure, l'utilisateur doit lire le guide d'utilisation.



AVERTISSEMENT : RAYONNEMENT LASER. NE PAS FIXER LE FAISCEAU. Produit laser de classe 2.



AVERTISSEMENT : gardez à l'écart des aimants. Le risque lié aux aimants peut perturber le fonctionnement d'un stimulateur cardiaque et entraîner une blessure grave ou la mort.



- Si l'équipement est utilisé d'une façon non indiquée par le fabricant, la protection offerte par l'équipement peut être altérée.
- Ne pas utiliser le niveau laser en atmosphères explosibles, comme en présence de liquides, de gaz ou de poussières inflammables. Ce niveau laser peut créer des étincelles qui peuvent enflammer la poussière ou les vapeurs.
- Rangez le niveau laser inactif dans un endroit hors de portée des enfants et d'autres personnes non formées. Les lasers sont dangereux entre les mains d'utilisateurs non formés.
- Les réparations de l'outil DOIVENT être effectuées par un réparateur qualifié. La réparation ou l'entretien effectué par un réparateur non qualifié peuvent entraîner une blessure. Pour localiser votre centre de services DeWALT le plus près, allez à www.DeWALT.com.
- Ne pas utiliser des outils optiques comme un télescope ou un transit pour voir le faisceau du laser. Cela peut causer une blessure grave aux yeux.

- **Ne pas placer le niveau laser dans une position qui peut faire en sorte que quelqu'un fixe de façon intentionnelle ou non intentionnelle.** Cela peut causer une blessure grave aux yeux.
- **Ne pas placer le niveau laser près d'une surface réfléchissante qui peut refléter le faisceau du laser vers les yeux de qui que ce soit.** Cela peut causer une blessure grave aux yeux.
- **Éteignez le niveau laser lorsqu'il n'est pas utilisé.** Laisser le niveau laser en marche augmente le risque de fixer le faisceau du laser.
- **Ne jamais modifier le niveau laser de quelque façon que ce soit.** Modifier le niveau laser peut entraîner une exposition dangereuse au rayonnement laser.
- **Ne pas utiliser le niveau laser autour des enfants ou laisser les enfants l'utiliser.** Cela peut entraîner une grave blessure oculaire.
- **Ne pas retirer ou dégrader les étiquettes d'avertissement.** Si les étiquettes sont retirées, l'utilisateur ou d'autres personnes peuvent s'exposer au rayonnement par inadvertance.
- **Placez le niveau laser de façon sécuritaire sur une surface plane.** Si le niveau laser tombe, il peut être endommagé ou causer une blessure grave.

Sécurité personnelle

- Demeurez alerte, surveillez ce que vous faites et faites preuve de bon sens lorsque vous utilisez le laser. Ne pas utiliser le laser si vous êtes fatigué ou sous l'influence de drogues, d'alcool ou de médicaments. Un moment d'inattention pendant l'utilisation du laser peut entraîner une blessure corporelle grave.
- Utiliser un équipement de protection individuelle. Portez toujours une protection oculaire. Selon les conditions de travail, porter un équipement de protection comme un masque anti poussière, des chaussures de sécurité antidérapantes, un casque de sécurité et une protection auditive réduit les blessures corporelles.

Utilisation et entretien du niveau laser

- N'utilisez pas le niveau laser si l'interrupteur d'alimentation et de verrouillage/déverrouillage du balancier ne permet plus d'allumer ou d'éteindre le laser. Tout niveau laser qui ne peut plus être commandé par son interrupteur est dangereux et doit être réparé.
- Respectez les instructions de la section **Maintenance** de ce manuel. L'utilisation de pièces non autorisées ou le non-respect des consignes de **Maintenance** peuvent occasionner un risque de décharge électrique ou de blessure.

Instructions de sécurité importantes pour toutes les charges intégrées du bloc-piles



AVERTISSEMENT : lisez toutes les consignes de sécurité, les instructions et les symboles d'avertissements de la pile, du câble USB et du produit. Ne pas suivre les avertissements et les instructions peut entraîner un choc électrique, un incendie et/ou des blessures graves.



AVERTISSEMENT : utilisez l'adaptateur électrique recommandé PD045E-D1C0AVU (5-20 V, <=3,0 A). Si votre niveau laser n'a pas été vendu avec ce chargeur, utilisez un adaptateur d'alimentation certifié conforme aux réglementations nationales en vigueur et aux normes de sécurité internationales/régionales avec une sortie de 5-20 V, 3 A. L'adaptateur électrique DOIT être une alimentation électrique de classe 2. L'utilisation d'adaptateurs qui ne sont pas conformes aux normes de sécurité applicables peut entraîner des blessures.

- Chargez ce laser chaque mois s'il n'est pas utilisé constamment et après chaque utilisation lorsqu'il est souvent utilisé pour assurer la longévité du bloc-piles.
- Le câble USB fourni n'est pas destiné à d'autres usages que la recharge des outils rechargeables DEWALT dotés de ports USB. Charger d'autres types d'outils peut causer la surchauffe et l'éclatement de leurs piles, entraînant une blessure corporelle, des dommages matériels, un choc électrique ou une électrocution.

FRANÇAIS

- **NE PAS exposer le câble USB à l'eau, la pluie ou la neige.**
- **Tirez les fiches au lieu du cordon lorsque vous débranchez câble USB.** Cela réduira le risque d'endommager les fiches et le cordon.
- **Assurez-vous de ne pas placer le cordon là où il pourrait faire trébucher les passants ou être endommagé de quelque façon que ce soit.**
- **NE PAS utiliser le câble USB avec un cordon ou des fiches endommagés.** Faites-les remplacer immédiatement.
- **Les matériaux étrangers de nature conductrice, tels que, mais sans s'y limiter, la poussière de meulage, les copeaux métalliques, la laine d'acier, le papier d'aluminium ou toute accumulation de particules métalliques, doivent être tenus à l'écart des prises et des ports USB et des fiches et du port de charge.**
- **Débranchez toujours le câble USB de l'alimentation si aucun outil n'y est fixé.**

DCLE14201G

Rechargeable Li-ion Battery
Model: NA750671 3INR19/66
10.8V 2.0Ah 21.6Wh
Black & Decker(Suzhou) Co., Ltd.
2025 24-47

DCLE14201R

Rechargeable Li-ion Battery
Model: NB103768 INR19/66
3.6V 2.0Ah 7.2Wh
Black & Decker(Suzhou) Co., Ltd.
2025 24-47

Procédure de charge (Fig. A, B)



AVERTISSEMENT : l'adaptateur électrique DOIT être une alimentation électrique de classe 2.

1. Tirez le capot du port de charge USB **5** à l'écart du niveau laser.
2. Insérez la fiche USB **15** dans le port de charge USB **17**.
3. Branchez la prise USB **15** sur le bloc d'alimentation **16**.
4. Branchez le bloc d'alimentation dans une prise murale.
5. Le chargement est terminé lorsque les trois barres du compteur de pile **10** s'allument sur le côté du niveau laser. Vous pouvez laisser la pile en charge ou débrancher le câble USB.

Remarques importantes concernant le chargement

1. Le niveau laser peut devenir chaud au toucher pendant le chargement. C'est un état normal et cela n'indique pas un problème. Pour faciliter le refroidissement du niveau laser après utilisation, évitez de placer le niveau laser dans un environnement chaud, comme dans un hangar métallique ou une remorque non isolée.
2. Si le niveau laser ne se recharge pas correctement, apportez le niveau laser et le câble USB à votre centre de service local.
3. Vous pouvez charger une pile partiellement utilisée quand vous le souhaitez sans effet négatif sur le niveau laser.

REMARQUE : vous pouvez utiliser le niveau laser pendant qu'il se recharge.

Conditions de chaleur et de froid

Pendant la charge, lorsque la température est égale ou supérieure à 40 °C (104 °F) (conditions chaudes) ou inférieure ou égale à 4 °C (39 °F) (conditions froides), la charge est désactivée et le schéma suivant de l'état de charge du bloc-piles clignote :



Jusqu'à ce que la température soit comprise entre 40 °C (104 °F) et 4 °C (39 °F), la charge ne s'active pas et l'indication ci-dessus continue.

Affichage du compteur de bloc-piles (Fig. A, C)

Lorsque le niveau laser est allumé, l'indicateur de l'état de la pile **10** sur le clavier indique la puissance restante.

- Les trois DEL clignotent lorsque le niveau de la pile est faible (< 10 %). Le niveau laser peut continuer à fonctionner pendant un court laps de temps alors que la pile continue à se décharger.
- Une fois la pile rechargée et le niveau laser remis en marche, le niveau de l'indicateur de la pile indiquera la pleine capacité.
- Si l'une ou toutes les DEL de l'indicateur de pile restent allumées, cela indique que le niveau laser n'est pas complètement éteint. Lorsque le niveau laser n'est pas utilisé, assurez-vous que l'interrupteur de verrouillage/déverrouillage du pendule et d'alimentation **13** est placé en position de verrouillage/arrêt.

PILE
DEL DE
COMPTEUR

ÉTAT DE CHARGE



La pile est chargée à 70-100 %



La pile est chargée à 50-70 %



La pile est chargée à 10-50 %



La pile est chargée à moins de 10 %



La pile est chargée à moins de 10 %, l'appareil est en cours de chargement.

CONSEILS SUR L'UTILISATION

- *Pour prolonger la durée de vie de la pile, éteignez le niveau laser lorsqu'il n'est pas utilisé.*
- *La diminution de la luminosité du niveau laser augmente l'autonomie de la pile.*
- *Afin d'assurer la précision de votre travail, vérifiez souvent le calibrage du niveau laser. Consultez la section **Contrôle de la précision du laser**.*
- *Avant de tenter d'utiliser le niveau laser, assurez-vous qu'il est bien placé sur une surface stable plane et lisse qui est de niveau dans les deux sens.*



ATTENTION : afin de réduire le risque de blessures graves, ne jamais fixer directement le faisceau du laser avec ou sans lunettes.

- *Indiquez toujours le centre du faisceau créé par le niveau laser.*
- *Les changements de températures extrêmes peuvent causer le mouvement ou le changement de structures du bâtiment, des trépiéds métalliques, de l'équipement, etc., qui peut affecter la précision. Vérifiez souvent votre précision pendant que vous travaillez.*
- *Si le niveau laser a été échappé, vérifiez pour vous assurer que votre niveau laser est encore calibré. Consultez la section **Contrôle de la précision du laser**.*

Mise en marche du laser (Fig. C)

Votre niveau laser est équipé d'un dispositif de verrouillage/déverrouillage du pendule à trois positions et d'un interrupteur d'alimentation **13**.

- **Position horizontale :** éteint
- **Position intermédiaire :** mode pente manuelle (sous tension, pendule verrouillé)
- **Position verticale :** mode autonivelage (sous tension, pendule déverrouillé)

Les faisceaux laser s'allument automatiquement si l'interrupteur de verrouillage/déverrouillage du pendule et d'alimentation est déplacé de la position horizontale à la position intermédiaire ou à la position verticale.

Mode autonivelage

Lorsque l'interrupteur est placé en position verticale, le laser se nivelle automatiquement tant que l'inclinaison de la surface sur laquelle le niveau laser est placé est inférieure à 4°.

Le niveau laser étant éteint, placez-le sur une surface plane. Ce modèle est doté d'un clavier permettant d'activer les faisceaux laser à l'aide de deux boutons, l'un pour une ligne laser horizontale (11) et l'autre pour une ligne laser verticale (12). Chaque ligne laser est mise sous tension en plaçant l'interrupteur de verrouillage/déverrouillage du pendule et l'interrupteur d'alimentation en position VERROUILLÉ/MARCHE et en appuyant sur le bouton de la ligne laser requise sur le clavier. Les lignes laser peuvent être activées une par une ou simultanément. Une nouvelle pression sur les boutons éteint les lignes laser. L'interrupteur de verrouillage/déverrouillage du pendule et d'alimentation désactive les lasers ainsi que le verrouillage du pendule, et doit toujours être placé en position VERROUILLÉ/ARRÊT lorsque le niveau laser n'est pas utilisé.

Mode pente manuelle

Lorsque l'interrupteur est placé en position intermédiaire, l'appareil laser est en mode pente manuelle. Le laser ne se nivelle pas automatiquement dans ce mode et est utilisé dans les situations où une ligne laser fixe est nécessaire.

REMARQUE : le laser N'EST PAS À NIVEAU lorsque l'indicateur de verrouillage du pendule (8) est allumé et les faisceaux clignoteront 3 fois toutes les 10 secondes pour l'indiquer davantage.

Luminosité du faisceau laser (Fig. A, O)

La luminosité des lignes laser peut être réglée en appuyant sur le bouton de contrôle de la luminosité (7) du clavier qui passera successivement par une luminosité élevée, moyenne et faible.

Pivoter la tête laser (Fig. D)

La tête laser (2) est fixée de façon permanente à la base du niveau laser. Cette tête laser peut être tournée manuellement

en saisissant la tête laser et en la faisant tourner, ou en utilisant la molette de réglage fin (14) pour des mouvements plus petits et plus précis.

Vérification de la précision du laser

Les niveaux laser sont calibrés et scellés en usine. **Il est conseillé de faire un contrôle de précision avant la première utilisation du niveau laser** (dans le cas où il a été exposé à des températures extrêmes) puis régulièrement ensuite pour assurer la précision de votre travail. Suivez ces directives lorsque vous effectuez les contrôles de précision indiqués dans ce guide :

- Utilisez la surface/distance la plus importante possible, au plus près de la distance d'utilisation. Plus la zone/distance est grande, plus il est facile de mesurer la précision du laser. Reportez-vous à la section **Vérification du calibrage sur place**.
- Placez le niveau laser sur une surface lisse, plane et stable qui est de niveau dans les deux sens.
- Marquez le centre du faisceau laser.

Contrôle du calibrage sur site

Contrôle de précision - faisceau horizontal, direction de balayage (Fig. E)

Le contrôle de calibrage horizontal du niveau laser nécessite deux murs éloignés d'au moins 9 m (30 pi) l'un de l'autre. Il importe d'effectuer ce contrôle de calibrage en utilisant une distance qui n'est pas inférieure à la distance des applications pour lesquelles l'outil sera utilisé.

1. Placez le laser sur une surface lisse, plane et stable qui est de niveau dans les deux sens.
2. Mettez le laser sous tension et faites glisser le verrouillage/déverrouillage du pendule et l'interrupteur d'alimentation (13) en position verticale. Reportez-vous à **Mise en marche du laser**,
3. Allumez le faisceau horizontal du laser et faites-le pivoter sur environ 45° de sorte que l'extrémité la plus à droite de la ligne du laser touche le mur opposé à une distance d'au moins 9 m (30 pi). Marquez (a) sur le mur opposé.

4. Tournez le niveau laser sur environ 90° pour amener l'extrémité la plus à gauche de la ligne laser autour du repère (a). Marquez le centre du faisceau (b).
 5. Mesurez la distance verticale entre les repères (a et b).
- Si la mesure est supérieure aux valeurs indiquées ci-dessous, le niveau laser doit être réparé dans un centre de service agréé DEWALT.

| Distance entre les murs | Distance autorisée entre a et b |
|-------------------------|---------------------------------|
| 30 pi | 1/8 po |
| 40 pi | 5/32 po |
| 50 pi | 7/32 po |

| Distance entre les murs | Distance autorisée entre a et b |
|-------------------------|---------------------------------|
| 9,0 m | 3,1 mm |
| 12,0 m | 4,2 mm |
| 15,0 m | 5,2 mm |

Contrôle de précision - faisceau horizontal, direction d'inclinaison (Fig. F)

Vérifier le calibrage horizontal de l'inclinaison du niveau laser nécessite un mur d'au moins 9 m (30 pi) de longueur. Il importe d'effectuer le contrôle de calibrage en utilisant une distance qui n'est pas inférieure à la distance des applications pour lesquelles l'outil sera utilisé.

1. Fixez le niveau laser à une extrémité du mur en utilisant son support pivotant.
2. Mettez le laser sous tension et faites glisser le verrouillage/déverrouillage du pendule et l'interrupteur d'alimentation **13** en position verticale. Reportez-vous à **Mise en marche du laser**.
3. Allumez le faisceau horizontal du niveau laser et faites-le pivoter vers le côté opposé du mur et approximativement parallèle au mur adjacent.
4. Marquez le centre du faisceau à deux emplacements (a, b) éloignés d'au moins 30' (9 m).
5. Repositionnez le niveau laser sur le côté opposé du mur.

6. Allumez le faisceau horizontal du niveau laser et faites-le pivoter vers la première extrémité du mur et approximativement parallèlement au mur adjacent.
 7. Réglez la hauteur du niveau laser de sorte que le centre du faisceau soit aligné avec le repère le plus proche (b).
 8. Marquez le centre du faisceau (c) directement au-dessus ou au-dessous du repère le plus éloigné (a).
 9. Mesurez la distance entre ces deux repères (a, c).
- Si la mesure est supérieure aux valeurs indiquées ci-dessous, le niveau laser doit être réparé dans un centre de service agréé.

| Distance entre les murs | Distance autorisée entre a et c |
|-------------------------|---------------------------------|
| 30 pi | 1/4 po |
| 40 pi | 5/16 po |
| 50 pi | 13/32 po |

| Distance entre les murs | Distance autorisée entre a et c |
|-------------------------|---------------------------------|
| 9,0 m | 6,2 mm |
| 12,0 m | 8,3 mm |
| 15,0 m | 10,4 mm |

Contrôle de précision - faisceau vertical (Fig. G)

La méthode la plus précise pour contrôler le calibrage vertical (aplomb) du niveau laser nécessite une hauteur verticale importante, idéalement 6 m (20 pi), avec une personne au sol positionnant le niveau laser et une autre personne proche du plafond pour repérer la position du faisceau. Il importe d'effectuer le contrôle de calibrage en utilisant une distance qui n'est pas inférieure à la distance des applications pour lesquelles l'outil sera utilisé.

1. Commencez par marquer une ligne de 5' (1,5 m) au sol.
2. Mettez le laser sous tension et faites glisser le verrouillage/déverrouillage du pendule et l'interrupteur d'alimentation **13** en position verticale. Reportez-vous à **Mise en marche du laser**.

FRANÇAIS

- Allumez le faisceau vertical du niveau laser et positionnez l'appareil à une extrémité de la ligne, face à elle.
 - Réglez l'appareil de sorte que son faisceau soit aligné et centré sur la ligne au sol.
 - Marquez la position du faisceau laser au plafond (a). Marquez le centre du faisceau laser directement sur le point médian de la ligne au sol.
 - Repositionnez le niveau laser à l'autre extrémité de la ligne au sol. Réglez à nouveau l'appareil de sorte que son faisceau soit aligné et centré sur la ligne au sol.
 - Marquez la position du faisceau laser au plafond (b), directement à côté du premier repère a).
 - Mesurez la distance entre ces deux repères.
- Si la mesure est supérieure aux valeurs indiquées ci-dessous, le niveau laser doit être réparé dans un centre de service agréé.

| Distance entre le sol et le plafond | Distance autorisée entre a et b |
|-------------------------------------|---------------------------------|
| 8 pi | 1/16 po |
| 10 pi | 3/32 po |
| 14 pi | 1/8 po |
| 20 pi | 3/16 po |

| Distance entre le sol et le plafond | Distance autorisée entre a et b |
|-------------------------------------|---------------------------------|
| 2,5 m | 1,7 mm |
| 3,0 m | 2,1 mm |
| 4,0 m | 2,8 mm |
| 6,0 m | 4,1 mm |

Utilisation du laser (Fig. K)

Mise à niveau du laser

Tant que le niveau laser est correctement étalonné, la mise à niveau du laser est automatique (en mode pendule déverrouillé). Chaque niveau laser est calibré à l'usine pour trouver le niveau à condition qu'il soit placé sur une surface plane ayant un niveau moyen de $\pm 4^\circ$. Aucun ajustement manuel n'est requis.

Si le niveau laser est si incliné qu'il ne peut pas se mettre à niveau ($> 4^\circ$), le faisceau du laser clignotera. Deux séquences de clignotement sont associées à la condition de non-niveau.

- En mode pendule déverrouillé, la diode laser clignote en continu.
- En mode pente manuelle, la diode laser clignote trois fois toutes les dix secondes (cycle total), répétant ce schéma en permanence.

Lorsque les faisceaux clignent, LE NIVEAU LASER N'EST PAS DE NIVEAU (NI D'APLOMB) ET NE DOIT PAS ÊTRE UTILISÉ POUR DÉTERMINER OU MARQUER LE NIVEAU OU L'APLOMB.

Réglage fin (Fig. A)

La molette de réglage fin **14** située sur le côté du niveau laser sert à aligner le faisceau vertical. Placez le niveau laser sur une surface plane et tournez la molette vers la droite (dans le sens des aiguilles d'une montre) pour faire pivoter le niveau laser vers la gauche, ou vers la gauche (dans le sens inverse des aiguilles d'une montre) pour déplacer le faisceau vers la droite.

Utilisation du support de pivot (Fig. H, I)

Le niveau laser a un support de pivot magnétique **6** fixé en permanence à l'unité.



AVERTISSEMENT : placez le niveau laser et/ou le montage mural sur une surface stable. Une chute du niveau laser peut entraîner des blessures corporelles graves ou endommager le niveau laser.

- Le support a une encoche en trou de serrure **1** afin qu'il puisse être suspendu d'un clou ou d'une vis sur toute sorte de surface.
- Le support a des aimants **18** qui permettent à l'unité d'être installée sur les surfaces les plus droites faites d'acier ou de fer. Des exemples courants de surfaces appropriées comprennent les montants des charpentes en acier, les cadres de portes en acier et les poutres en acier de construction.

Plaque de montage multi surfaces

(Fig. I, J)

1. Pour fixer le niveau laser à un montant en bois **19**, vissez d'abord la plaque de montage multi-surface **21** et montez le niveau laser à l'aide des aimants du laser **18**.
2. Pour fixer le niveau laser sur un montant en métal **20**, placez le montant en métal en sandwich entre la plaque de montage multi surfaces **21** et les aimants de laser **18**. Placer la plaque de montage multi surfaces derrière le montant en métal augmente considérablement la force magnétique et la capacité de tenue du niveau laser.

ENTRETIEN

Votre niveau laser a été conçu pour fonctionner sur une longue période avec un minimum d'entretien. Un fonctionnement satisfaisant continu dépend de l'entretien approprié et d'un nettoyage régulier de l'outil.



AVERTISSEMENT : pour réduire les risques de blessures graves, mettez le niveau laser hors tension avant d'effectuer des réglages ou de retirer/installer des pièces ou des accessoires. Un démarrage accidentel peut causer des blessures.

- Pour maintenir la précision de votre travail, vérifiez souvent le niveau laser afin d'assurer qu'il est bien calibré. Voir **Vérification du calibrage sur place**.
- Les contrôles du calibrage et les autres entretiens et réparations doivent être effectués dans des centres de services DEWALT.
- N'entreposez pas le niveau laser dans l'étui s'il est mouillé. Le niveau laser doit d'abord être séché avec un linge doux et sec avant l'entreposage.
- Ne pas l'utiliser sous la pluie.

Nettoyage



AVERTISSEMENT : n'utilisez jamais de solvants ou d'autres produits chimiques décapants pour nettoyer les pièces non métalliques du niveau laser. Ces produits

chimiques pourraient attaquer la matière de ces pièces. Utilisez un chiffon humidifié avec de l'eau et un savon doux. Ne laissez jamais aucun liquide pénétrer à l'intérieur du niveau laser et n'immergez jamais aucune de ses pièces dans aucun liquide.

Les pièces externes en plastique peuvent être nettoyées avec un chiffon humide. Bien que ces pièces résistent aux solvants, N'UTILISEZ JAMAIS de solvants. Utilisez un chiffon doux et sec pour supprimer l'humidité du niveau laser avant de le ranger.

DÉPANNAGE

Le niveau laser ne s'allume pas (Fig. A)

- Rechargez complètement la pile.
- Si le niveau laser est exposé à des températures extrêmement chaudes/froides, l'indicateur de pile **10** clignote. Reportez-vous à la section **Conditions de chaleur et de froid**. Si le niveau laser a été entreposé à des températures extrêmement chaudes, laissez-le refroidir. Le niveau laser ne sera pas endommagé en appuyant sur le bouton Marche/ Arrêt avant le refroidissement à sa température de fonctionnement appropriée.

Les faisceaux du laser clignotent (Fig. L)

En mode de pente manuelle, le clignotement se produit 3 fois toutes les 10 secondes, quelle que soit l'inclinaison, pour rappeler à l'utilisateur qu'il est en mode de pente manuelle.

En mode déverrouillé, si l'appareil laser est incliné de plus de 4°, il clignotera toutes les secondes pour indiquer que, bien qu'il soit en mode de nivellement automatique, l'appareil est trop incliné pour se niveler correctement.

LES FAISCEAUX CLIGNOTANTS CRÉÉS PAR LE NIVEAU LASER NE SONT PAS DE NIVEAU OU D'APLOMB ET NE DOIVENT PAS ÊTRE UTILISÉS POUR DÉTERMINER OU MARQUER LE NIVEAU OU L'APLOMB. Essayez de repositionner le niveau laser sur une surface plus plane.

Si la pile du niveau laser est faiblement chargée, les faisceaux clignoteront selon un schéma caractéristique de

FRANÇAIS

3 clignotements rapides en 1 seconde, suivis d'une émission de lumière constante pendant 4 secondes. Ce schéma de clignotement indique que la pile doit être rechargée.

Les faisceaux du laser n'arrêtent pas de bouger


Le niveau laser est un instrument de précision. Par conséquent, s'il n'est pas placé sur une surface stable (et sans mouvement), le niveau laser continuera de tenter de trouver le niveau. Si le faisceau n'arrête pas de bouger, essayez de placer le niveau laser sur une surface plus stable. De plus, tentez de vous assurer que la surface est relativement plane afin que le niveau laser soit stable.

Accessoires (Fig. M)

Le niveau laser est équipé de filetages 1/4 po-20 et 5/8 po-11 sur le dessous de l'appareil pour accueillir les accessoires DEWALT actuels ou futurs, tels qu'un trépied.

La Fig. M montre un exemple d'accessoires vendus séparément de ces niveaux laser. N'utilisez que les accessoires DEWALT spécifiés pour cet appareil. Suivez les directives incluses avec l'accessoire.

Détecteur de laser (Fig. N)

Le détecteur de laser  (vendu séparément) permet de détecter la ligne laser à des distances bien supérieures à la plage visible. Reportez-vous au manuel d'utilisation du détecteur de laser pour plus de détails sur son utilisation.

DW0892 pour le laser rouge DCLE14201R.

DW0892G pour le laser vert DCLE14201G.



AVERTISSEMENT : *étant donné que les accessoires, autres que ceux offerts par DEWALT, n'ont pas été testés avec ce produit, utiliser de tels accessoires avec ce niveau laser pourrait être dangereux. Afin de réduire le risque de blessures, seulement les accessoires recommandés DEWALT doivent être utilisés avec ce produit.*

Si vous avez besoin d'aide pour trouver un accessoire, veuillez contacter votre revendeur DEWALT le plus proche ou consulter le site www.DEWALT.com.

Entretien et réparations

REMARQUE : désassembler le ou les niveaux du laser annulera toutes les garanties du produit.

La pile peut être remplacée par les centres de service DEWALT. Pour assurer la SÉCURITÉ et la FIABILITÉ du produit, les réparations, l'entretien et les ajustements doivent être effectués par des centres de services autorisés. La réparation ou l'entretien effectué par un réparateur non qualifié peut entraîner un risque de blessure. Pour localiser votre centre de services DEWALT le plus près, allez à www.toolservicenet.com.

Divulgaration pour le Québec

Nous ne garantissons pas la disponibilité des pièces de rechange, des services de réparation ni des informations nécessaires pour l'entretien ou la réparation des produits visés par la Loi sur la protection du consommateur du Québec, telle que modifiée par le projet de loi 29.

Garantie


Accédez à www.DEWALT.com pour les renseignements les plus récents sur la garantie.

Élimination du bloc-piles hors service

Ce produit contient un bloc-piles au Lithium rechargeable et des cellules recyclables. Lorsque le produit n'est plus utilisable ou si le bloc-piles ne tient plus la charge, il doit être recyclé. Ils ne doivent pas être incinérés, compostés, jetés à la poubelle ni placés dans un container de recyclage public. Dans certaines régions, il est illégal de mettre les blocs-piles usagés à la poubelle.

- Consultez votre municipalité pour des instructions appropriées relatives à l'élimination dans votre ville/village.
- Vous pouvez également consulter le site www.TerraCycle.com et rechercher « DEWALT » pour trouver notre programme de recyclage.
- Vous pouvez également consulter le site www.toolservicenet.com, **Rechercher le centre de service le plus proche** pour trouver un centre à proximité.
- Ou consulter www.dewalt.com/support.

Caractéristiques

| | DCLE14201G, DCLE14201R |
|---|--|
| Source lumineuse | Diodes laser |
| Longueur d'onde du laser | Vert : 510 nm–530 nm visible, Rouge : 630 nm–690 nm visible |
| Puissance du laser | 2,0 mW (vert), 1,5 mW (rouge) PRODUIT LASER DE CLASSE 2 |
| Plage de fonctionnement | Vert : 45 m (150 pi), Rouge : 30 m (100 pi) Vert 100 m (330 pi) avec détecteur (vendu séparément). Rouge 50 m (165 pi) (vendu séparément) |
| Précision (Aplomb) | ±3,1 mm pour 9 m (±1/8 po pour 30 pi) |
| Précision (Niveau) | ±3,1 mm pour 9 m (±1/8 po pour 30 pi) |
| Pile faible | 3 DEL clignotantes sur l'indicateur d'état de la batterie |
| Faisceaux laser clignotants | 3 fois toutes les 10 secondes en mode pente manuelle, En continu en mode de nivellement automatique |
| Source d'alimentation | Pile Li-Ion intégrée ou alimentation secteur |
| Entrée USB | 5-20V, <= 3.0 A |
| Entrée de l'adaptateur d'alimentation secteur | 100-240V _{AC} , 50/60Hz, 1.0A |
| Température de fonctionnement | 0 °C à 50 °C (32 °F à 122 °F) |
| Température de charge | 4 °C à 40 °C (39 °F à 104 °F) |
| Température d'entreposage | -20 °C à 60 °C (-5 °F à 140 °F) |
| Humidité | Humidité relative maximum 80 % pour les températures jusqu'à 31 °C (88 °F), diminuant linéairement à 50 % d'humidité relative à 40 °C (104 °F) |
| Environnement | Résistance à l'eau et la poussière IP54.  AVERTISSEMENT : Ce produit a une classe de protection IP qui assure un certain niveau de protection contre la poussière (pénétration limitée) et les liquides (éclaboussures légères) en utilisation normale et raisonnablement prévisible. La télécommande a un indice de protection IP54. N'immergez JAMAIS le laser, le cordon USB, le bloc d'alimentation ou la télécommande dans un liquide. |
| Altitude | < 2000 m (6500 pi) |



ADVERTENCIA: *Lea todas las advertencias de seguridad e instrucciones. El incumplimiento de las advertencias e instrucciones puede provocar descargas eléctricas, incendios o lesiones graves.*



ADVERTENCIA: *Para reducir el riesgo de lesiones, lea el manual de instrucciones.*

Información de Láser

El láser de línea cruzada DCLE14201 es un producto Láser Clase 2. Es una herramienta láser de autonivelación que se puede usar para proyectos de alineación horizontal (nivel) y vertical (plomada).

Este producto cumple con 21 CFR 1040.10 y 1040.11 excepto por la conformidad con IEC 60825-1 Ed. 3, como se describe en el Aviso Láser No. 56, con fecha del 8 de mayo, 2019.

- Cumple con UL STDS 61010-1 y 2595
- Certificado conforme a la Norma CSA STD C22.2 No. 61010-1

Declaración de conformidad del proveedor

47 CFR § 2.1077 Identificador único de

información de cumplimiento: DCLE14201G, DCLE14201R
Parte Responsable – Información de contacto en EUA
DEWALT

701 East Joppa Road
Towson, Maryland 21286

www.DEWALT.com

Declaración de cumplimiento FCC

Este equipo se probó y se encontró que cumple con los límites para un dispositivo digital Clase B, en conformidad con la Parte 15 de las Reglas FCC. Estos límites están diseñados para proporcionar protección razonable contra interferencia dañina en una instalación residencial. Este equipo genera, usa, y puede transmitir energía de radio frecuencia y, si no se instala y usa de acuerdo con las instrucciones, puede causar interferencia dañina a las comunicaciones de radio. Sin embargo, no existe garantía que no ocurra la interferencia en una instalación particular. Si este equipo causa interferencia dañina a la recepción de radio

y televisión, que se puede determinar al apagar o encender el equipo, se alienta al usuario que intente corregir la interferencia por medio de una o más de las siguientes medidas:

- Reoriente o reubique la antena de recepción.
- Incremente la separación entre el equipo y el receptor.
- Conecte el equipo en un tomacorriente en un circuito diferente al que esté conectado el receptor.
- Consulte al distribuidor o un técnico de radio/TV experimentado respecto a ayuda.

SEGURIDAD DEL USUARIO

Pautas de seguridad

Las definiciones siguientes describen el nivel de severidad para cada palabra de señal. Por favor lea el manual y ponga atención a estos símbolos.



PELIGRO: *Indica una situación peligrosa inminente que, si no se evita, resultará en la muerte o lesiones serias.*



ADVERTENCIA: *Indica una situación potencialmente peligrosa que, si no se evita, podría resultar en la muerte o lesiones serias.*



ATENCIÓN: *Indica una situación potencialmente peligrosa que, si no se evita, puede resultar en lesiones menores o moderadas.*

AVISO: *Indica una práctica no relacionada con lesiones personales que, si no se evita, puede resultar en daño a la propiedad.*

Si tiene cualquier pregunta o comentario sobre ésta o cualquier herramienta DeWALT,

llame al **1-800-4-DEWALT (1-800-433-9258)**
o visite www.DEWALT.com.



ADVERTENCIA: *Nunca modifique la herramienta o ninguna parte de ésta. Puede resultar en daño al láser o lesiones personales.*



ADVERTENCIA: *Lea y entienda todas las instrucciones. La falla en seguir las advertencias e instrucciones puede resultar en descarga eléctrica, incendio y/o lesiones serias.*

CONSERVE ESTAS INSTRUCCIONES

⚠️ ADVERTENCIA: Exposición de radiación Láser.
No desensamble o modifique el nivel de láser. No hay partes reparables por el usuario en el interior. Podría resultar en lesiones oculares serias.


⚠️ ADVERTENCIA: Radiación peligrosa. El uso de controles o ajustes o la realización de procedimientos distintos a los especificados en este documento pueden provocar una exposición peligrosa a la radiación.

⚠️ ATENCIÓN: Mantenga los dedos alejados de la placa posterior y el perno cuando instale los imanes. Los dedos pueden quedar atrapados.

⚠️ ATENCIÓN: No se pare debajo del láser cuando esté instalado con un soporte de imán. Pueden resultar lesiones personales serias o daño al láser si éste cae.

⚠️ ATENCIÓN: El láser debe usarse en posición vertical.

La etiqueta en su láser puede incluir los siguientes símbolos.


| Símbolo | Significado |
|---|--------------------------------|
| V | Voltios |
| mW | Miliwatts |
|  | Advertencia Láser |
| nm | Longitud de onda en nanómetros |
| 2 | Láser Clase 2 |

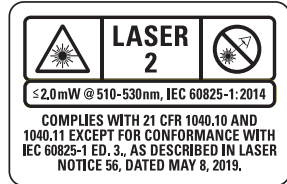
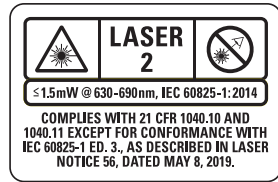
Etiquetas de advertencia (Fig. A)

Las siguientes etiquetas se encuentran en su láser para su conveniencia y seguridad

⚠️  ADVERTENCIA: Para reducir el riesgo de lesiones, el usuario debe leer el manual de instrucciones.

 ADVERTENCIA: RADIACIÓN LÁSER. NO MIRE EL LÁSER DIRECTAMENTE. Producto Láser Clase 2.

 ADVERTENCIA: Manténgase alejado del imán. El peligro magnético puede perturbar la operación de marcapasos y provocar lesiones graves o la muerte.



- **Si el equipo se utiliza de una manera no especificada por el fabricante, la protección proporcionada por el equipo puede verse afectada.**
- **No opere el nivel láser en atmósferas explosivas, como en presencia de líquidos, gases o polvo inflamables.** Este nivel láser puede generar chispas que pueden encender el polvo o los vapores.
- **Guarde un nivel láser inactivo fuera del alcance de los niños y otras personas no capacitadas.** Los láseres son peligrosos en manos de usuarios inexpertos.
- **El servicio de la herramienta DEBE ser realizado por personal de reparación calificado.** El servicio o mantenimiento realizado por personal no calificado puede resultar en lesiones. Para localizar el centro de servicio DeWALT más cercano, visite www.DeWALT.com.
- **No utilice herramientas ópticas como un telescopio o un vehículo de tránsito para ver el rayo láser.** Podría resultar en lesiones oculares serias.
- **No coloque el nivel láser en una posición en la que pueda causar que alguien vea intencionalmente o accidentalmente fijamente al rayo láser.** Podría resultar en lesiones oculares serias.

ESPAÑOL

- **No coloque el nivel láser cerca de una superficie reflectante que pueda reflejar el rayo láser hacia los ojos de cualquier persona.** Podría resultar en lesiones oculares serias.
- **Apague el nivel láser cuando no esté en uso.** Dejar el nivel láser encendido aumenta el riesgo de mirar fijamente al rayo láser.
- **No modifique el nivel láser de ninguna manera.** La modificación del nivel láser puede provocar una exposición peligrosa a la radiación láser.
- **No utilice el nivel láser cerca de niños ni permita que los niños utilicen el nivel láser.** Puede resultar en lesiones oculares graves.
- **No quite ni estropee las etiquetas de advertencia.** Si se quitan las etiquetas, el usuario u otras personas pueden exponerse inadvertidamente a la radiación.
- **Coloque el nivel láser de forma segura en una superficie nivelada.** Si el nivel láser cae, podría dañar el nivel láser o sufrir lesiones graves.

Seguridad Personal

- Permanezca alerta, observe lo que está haciendo y use el sentido común cuando opere el láser. No use el láser cuando esté cansado o bajo la influencia de drogas, alcohol, o medicamentos. Un momento de falta de atención mientras opera el láser puede resultar en lesiones personales serias.
- Use equipo de protección personal. Siempre use protección para los ojos. Dependiendo de las condiciones de trabajo, el uso de equipo de protección como una máscara contra el polvo, zapatos de seguridad antideslizantes, casco y protección auditiva reducirá las lesiones personales.

Uso y cuidado de nivel láser

- No use el nivel láser si el interruptor de bloqueo/desbloqueo de péndulo y energía no enciende o apaga el nivel láser. Cualquier nivel láser que no pueda ser controlado con el interruptor es peligroso y debe ser reparado.
- Siga las instrucciones en la sección **Mantenimiento** de este manual. El uso de partes no autorizadas o el

incumplimiento de las Instrucciones de **Mantenimiento** pueden crear un riesgo de descarga eléctrica o lesiones.

Instrucciones de seguridad importantes para carga de todas las baterías integrales



ADVERTENCIA: Lea todas las advertencias de seguridad, instrucciones y marcas de precaución para la batería, el cable USB, y el producto. La falla en seguir las advertencias e instrucciones puede resultar en descarga eléctrica, incendio y/o lesiones serias.



ADVERTENCIA: Use el adaptador de energía recomendado PD045E-D1C0AVU (5-20V, <=3.0A). Si su nivel láser no se vendió con este cargador, use un adaptador de energía certificado que cumpla con las regulaciones del país aplicables y las normas de seguridad internacionales/regionales con una salida de 5-20V, 3A. El adaptador de energía DEBE ser un suministro de energía Clase 2. Utilizar adaptadores que no cumplan con las normas de seguridad aplicables podría resultar en lesiones.

- Cargue este láser cada mes si no está en uso constante, y después de cada uso cuando se use a menudo para asegurar la longevidad de la batería.
- El cable USB incluido no está diseñado para usos diferentes a cargar herramientas DEWALT recargables con puertos USB. Cargar otros tipos de herramientas puede causar que se sobrecalienten y exploten, resultando en lesiones personales, daño a la propiedad, incendio, descarga eléctrica o electrocución.
- No exponga el cable USB a agua, lluvia o nieve.
- Jale por los enchufes en lugar del cable cuando desconecte el cable USB. Esto reducirá el riesgo de daños a los enchufes y cable eléctricos.
- Asegúrese que el cable esté ubicado de forma que no se pueda pisar, provoque tropiezos, o de otra forma esté sujeto a daño o esfuerzo.
- NO use el cable USB con un cable o enchufes dañados. Solicite que los reemplacen de inmediato.

- **Los materiales extraños de naturaleza conductiva tales como, pero sin limitarse a, polvo de pulido, rebabas de metal, lana de acero, papel aluminio, o cualquier acumulación de partículas metálicas se deben mantener alejados de los enchufes y puerto USB.**
- **Siempre desconecte el cable USB del suministro de energía cuando no haya una herramienta conectada.**

DCLE14201G

Rechargeable Li-ion Battery
 Model: NA750671 3INR19/66
 10.8V 2.0Ah 21.6Wh
 Black & Decker(Suzhou) Co., Ltd.
 2025 24-47

DCLE14201R

Rechargeable Li-ion Battery
 Model: NB103768 INR19/66
 3.6V 2.0Ah 7.2Wh
 Black & Decker(Suzhou) Co., Ltd.
 2025 24-47

Procedimiento de carga (Fig. A, B)



ADVERTENCIA: El adaptador de energía DEBE ser un suministro de energía Clase 2.

1. Jale la cubierta del puerto de carga USB **5** del nivel láser.
2. Inserte el enchufe USB **15** en el puerto de carga USB **17**.
3. Conecte el enchufe USB **15** en el suministro de energía **16**.
4. Conecte el suministro de energía en un tomacorriente de pared.

5. La carga se completa cuando las tres barras del medidor de batería **10** se iluminan en el costado del nivel láser. La batería se puede dejar cargando o el cable USB se puede desconectar.

Notas Importantes de Carga

1. El nivel láser puede calentarse al tacto durante la carga. Esta es una condición normal y no indica un problema. Para facilitar el enfriamiento del nivel láser después de su uso, evite colocar el nivel láser en un ambiente cálido, como en un cobertizo de metal o un remolque sin aislamiento.
2. Si el nivel láser no carga adecuadamente, lleve el nivel láser y el cable USB a su centro de servicio local.
3. Puede cargar una batería parcialmente usada cuando lo desee sin ningún efecto adverso en el nivel láser.

NOTA: El nivel láser se puede usar mientras esté cargando.

Condición caliente y fría

Durante la carga, cuando la temperatura es de 104 °F (40 °C) o más (condición caliente) o 39 °F (4 °C) o menos (condición fría), la carga se apaga y parpadeará el siguiente patrón de estado de carga de la batería:



Hasta que la temperatura esté entre 104 °F (40 °C) y 39 °F (4 °C), la carga no se activará y continuará la indicación que se muestra anteriormente.






Observación del medidor de batería (Fig. A, C)

Cuando el nivel láser está encendido, el estado del medidor de batería **10** en el teclado indica cuánta energía queda.

- Los tres LED parpadearán cuando el nivel de la batería sea bajo (<10%). Es posible que el nivel láser siga funcionando durante un breve periodo de tiempo mientras la batería se sigue descargando.

ESPAÑOL

- Una vez cargada la batería y encendido nuevamente el nivel láser, el nivel del indicador de batería indicará capacidad total.
- Si cualquiera o todos los LED del medidor de batería permanecen encendidos, esto indica que el nivel láser no está completamente apagado. Cuando el nivel láser no esté en uso, asegúrese que el interruptor de bloqueo/desbloqueo del péndulo y energía **13** esté colocado en la posición ABAJO Bloqueado/APAGADO.

| BATERÍA LED DE MEDIDOR | ESTADO DE CARGA |
|--|---|
|  | Batería cargada al 70%–100% |
|  | Batería cargada al 50%–70% |
|  | Batería cargada al 10%–50% |
|  | Batería cargada a < 10% |
|  | Batería cargada a < 10%, la unidad se está cargando |

CONSEJOS DE OPERACIÓN

- *Para prolongar la vida útil de la batería por carga, apague el nivel láser cuando no esté en uso.*
- *Disminuir el brillo del nivel láser incrementa la duración de la batería.*
- *Para garantizar la precisión de su trabajo, verifique la calibración del nivel láser con frecuencia. Consulte **Verificación de precisión del láser.***

- *Antes de intentar utilizar el nivel láser, asegúrese que esté colocado de forma segura, sobre una superficie lisa, plana y estable que esté nivelada en ambas direcciones.*



ATENCIÓN: Para reducir el riesgo de lesiones graves, nunca mire directamente al rayo láser con o sin anteojos.

- *Siempre marque el centro del rayo creado por el nivel láser.*
- *Los cambios extremos de temperatura pueden causar movimiento o desplazamiento de estructuras de edificios, trípodes metálicos, equipos, etc., lo que puede afectar la precisión. Compruebe su precisión con frecuencia mientras trabaja.*
- *Si el nivel láser se ha caído, verifique que su nivel láser aún esté calibrado. Consulte **Verificación de precisión del láser.***

Encendido del láser (Fig. C)

Su nivel láser está equipado con un interruptor de bloqueo/desbloqueo de péndulo y energía de tres posiciones **13**.

- **Posición horizontal:** Apagado
- **Posición media:** Modo de pendiente manual (encendido, péndulo bloqueado)
- **Posición vertical:** Modo de autonivelación (encendido, péndulo desbloqueado)

Los rayos láser se encenderán automáticamente si el interruptor de bloqueo/desbloqueo del péndulo y energía se mueve desde la posición horizontal a la posición media o vertical.

Modo de autonivelación

Cuando el interruptor se coloca en posición vertical, el láser se autonivelará siempre que la superficie sobre la que se coloque el nivel láser tenga una inclinación inferior a 4°.

Con el nivel láser apagado, colóquelo sobre una superficie plana. Este modelo cuenta con un teclado para activar los rayos láser con dos botones; uno para una línea láser horizontal **11** y otro para una línea láser vertical **12**. Cada línea láser se enciende moviendo el interruptor de bloqueo/desbloqueo del péndulo y energía a la posición de DESBLOQUEADO/ENCENDIDO y presionando el botón de la línea láser requerido en el teclado.

Las líneas láser se pueden energizar una a la vez o al mismo tiempo. Al presionar los botones de línea láser nuevamente se apagan las líneas láser. El interruptor de bloqueo/desbloqueo del péndulo y energía desactiva los láseres y bloquea el péndulo, y siempre debe colocarse en la posición LOCKED/OFF cuando el nivel láser no esté en uso.

Modo de inclinación manual

Cuando el interruptor se coloca en la posición media, la unidad láser está en modo de pendiente manual. El láser no se nivelará automáticamente en este modo y se utiliza en situaciones en las que se requiere una línea láser fija.

NOTA: El láser NO ESTÁ NIVELADO cuando el indicador de bloqueo del péndulo **8** está iluminado y los rayos parpadearán 3 veces cada 10 segundos para indicarlo aún más.

Brillo de línea láser (Fig. A, O)

El brillo de las líneas láser se puede ajustar presionando el botón de control de brillo **7**, en el teclado, que alternará entre brillo alto, medio y bajo.

Gire de cabezal láser (Fig. D)

El cabezal láser **2** está conectado permanentemente a la base del nivel láser. Este cabezal láser se puede girar manualmente sujetando el cabezal láser y girando o usando la perilla de ajuste fino **14** para movimientos más pequeños y precisos.

Verificación de precisión del láser

Los niveles láser están sellados y calibrados en fábrica. **Se recomienda que realice una verificación de precisión antes de usar el nivel láser por primera vez** (en caso de que el nivel láser haya estado expuesto a temperaturas extremas) y después con regularidad para garantizar la precisión de su trabajo. Al realizar cualquiera de las verificaciones de precisión enumeradas en este manual, siga estas pautas:

- Utilice el área/distancia más grande posible, la más cercana a la distancia operativa. Mientras mayor sea el

área/distancia, será más fácil medir la precisión del láser.

Consulte **Verificación de calibración de campo**.

- Coloque el nivel láser sobre una superficie lisa, plana y estable que esté nivelada en ambas direcciones.
- Marque el centro de la línea láser.

Verificación de calibración de campo

Verificación de precisión - Rayo horizontal, dirección de escaneo (Fig. E)

La verificación de la calibración de escaneo horizontal del nivel láser requiere dos paredes separadas por lo menos a 9 m (30'). Es importante realizar una verificación de calibración utilizando una distancia no menor que la distancia de las aplicaciones para las que se utilizará la herramienta.

- Coloque el láser sobre una superficie lisa, plana y estable que esté nivelada en ambas direcciones.
 - Encienda el láser y deslice el interruptor de bloqueo/desbloqueo de péndulo y energía **13** a la posición vertical. Consulte **Encendido del láser**.
 - Encienda el rayo horizontal del nivel láser y gire el nivel láser aproximadamente 45° de modo que el extremo más a la derecha de la línea láser dé en la pared opuesta a una distancia de por lo menos 9 m (30'). Marque (a) en la pared opuesta.
 - Gire el nivel láser aproximadamente 90° para acercar el extremo izquierdo de la línea láser a la marca (a). Marque el centro del rayo (b).
 - Mida la distancia vertical entre las marcas (a y b).
- Si la medición es mayor que los valores que se muestran a continuación, el nivel láser debe recibir servicio en un centro de servicio DEWALT.

| Distancia entre paredes | Distancia permitida entre a y b |
|-------------------------|---------------------------------|
| 30' | 1/8" |
| 40' | 5/32" |
| 50' | 7/32" |

| Distancia entre paredes | Distancia permitida entre a y b |
|-------------------------|---------------------------------|
| 9,0 m | 3,1 mm |
| 12,0 m | 4,2 mm |
| 15,0 m | 5,2 mm |

Verificación de precisión - Rayo horizontal, dirección de inclinación (Fig. F)

La verificación de la calibración de inclinación horizontal del nivel láser requiere una sola pared de por lo menos 9 m (30') de largo. Es importante realizar una verificación de calibración utilizando una distancia no menor que la distancia de las aplicaciones para las que se utilizará la herramienta.

1. Fije el nivel láser a un extremo de una pared usando su soporte de pivote.
 2. Encienda el láser y deslice el interruptor de bloqueo/desbloqueo de péndulo y energía **13** a la posición vertical. Consulte **Encendido del láser**.
 3. Encienda el rayo horizontal del nivel láser y gire el nivel láser hacia el extremo opuesto de la pared y aproximadamente paralelo a la pared adyacente.
 4. Marque el centro del rayo en dos lugares (a, b) separados por lo menos a 9 m (30').
 5. Vuelva a colocar el nivel láser en el extremo opuesto de la pared.
 6. Encienda el rayo horizontal del nivel láser y gire el nivel láser hacia atrás al primer extremo de la pared y aproximadamente paralelo a la pared adyacente.
 7. Ajuste la altura del nivel láser para que el centro del rayo esté alineado con la marca más cercana (b).
 8. Marque el centro del rayo (c) directamente arriba o debajo de la marca más lejana (a).
 9. Mida la distancia entre estas dos marcas (a, c).
- Si la medición es mayor que los valores que se muestran a continuación, el nivel láser debe recibir servicio en un centro de servicio autorizado.

| Distancia entre paredes | Distancia permitida entre a y c |
|-------------------------|---------------------------------|
| 30' | 1/4" |
| 40' | 5/16" |
| 50' | 13/32" |

| Distancia entre paredes | Distancia permitida entre a y c |
|-------------------------|---------------------------------|
| 9,0 m | 6,2 mm |
| 12,0 m | 8,3 mm |
| 15,0 m | 10,4 mm |

Verificación de precisión - Rayo vertical (Fig. G)

La verificación de la calibración vertical (plomada) del nivel láser se puede realizar con mayor precisión cuando hay una cantidad sustancial de altura vertical disponible, idealmente 6 m (20'), con una persona en el piso colocando el nivel láser y otra cerca del techo para marcar la posición del rayo. Es importante realizar una verificación de calibración utilizando una distancia no menor que la distancia de las aplicaciones para las que se utilizará la herramienta.

1. Empezee marcando una línea de 1,5 m (5') en el suelo.
2. Encienda el láser y deslice el interruptor de bloqueo/desbloqueo de péndulo y energía **13** a la posición vertical. Consulte **Encendido del láser**.
3. Encienda el rayo vertical del nivel láser y coloque la unidad en un extremo de la línea, mirando hacia la línea.
4. Ajuste la unidad de modo que su rayo esté alineado y centrado en la línea del piso.
5. Marque la posición del rayo láser en el techo (a). Marque el centro del rayo láser directamente sobre el punto medio de la línea en el piso.
6. Vuelva a colocar el nivel láser en el otro extremo de la línea en el suelo. Ajuste la unidad una vez más para que su rayo esté alineado y centrado en la línea del piso.
7. Marque la posición del rayo láser en el techo (b), directamente al lado de la primera marca (a).

8. Mida la distancia entre éstas dos marcas.

- Si la medición es mayor que los valores que se muestran a continuación, el nivel láser debe recibir servicio en un centro de servicio autorizado.

| Distancia entre el piso y techo | Distancia permitida entre a y b |
|---------------------------------|---------------------------------|
| 8' | 1/16" |
| 10' | 3/32" |
| 14' | 1/8" |
| 20' | 3/16" |

| Distancia entre el piso y techo | Distancia permitida entre a y b |
|---------------------------------|---------------------------------|
| 2,5 m | 1,7 mm |
| 3,0 m | 2,1 mm |
| 4,0 m | 2,8 mm |
| 6,0 m | 4,1 mm |

Uso del láser (Fig. K)

Nivelación del láser

Mientras el nivel láser esté debidamente calibrado, el nivel láser se autonivela (en modo desbloqueado del péndulo). Cada nivel láser se calibra en la fábrica para encontrar el nivel siempre que se coloque sobre una superficie plana dentro de un promedio de $\pm 4^\circ$ de nivel. No se requieren ajustes manuales.

Si el nivel láser se ha inclinado tanto que no puede autonivelarse ($> 4^\circ$), el rayo láser parpadeará. Hay dos secuencias de parpadeo asociadas con la condición de desnivel.

- En el modo de péndulo desbloqueado, el diodo láser parpadea continuamente.
- En el modo de pendiente manual, el diodo láser parpadea tres veces cada diez segundos (ciclo total), repitiendo este patrón continuamente.

Cuando los rayos parpadean, EL NIVEL LÁSER NO ESTÁ NIVELADO (O VERTICAL) Y NO DEBE UTILIZARSE PARA DETERMINAR O MARCAR EL NIVEL O PLOMADA.

Ajuste fino (Fig. A)

La perilla de ajuste fino **14** en el lado del nivel láser es para alinear el rayo vertical. Coloque el nivel láser en una superficie plana y gire la perilla a la derecha (en sentido de las manecillas del reloj) para girar el nivel láser a la izquierda, o a la izquierda (sentido contrario a las manecillas del reloj) para mover el rayo a la derecha.

Uso del soporte de pivote (Fig. H, I)

El nivel láser tiene un soporte de pivote magnético **6** unido permanentemente a la unidad.



ADVERTENCIA: Coloque el nivel láser y/o el soporte de pared sobre una superficie estable. Pueden resultar lesiones personales serias o daño al nivel láser si éste cae.

- El soporte tiene una ranura en forma de ojo de cerradura **11** para que se pueda colgar de un clavo o tornillo en cualquier tipo de superficie.
- El soporte tiene imanes **18** que permiten montar la unidad en la mayoría de las superficies verticales de acero o hierro. Los ejemplos comunes de superficies adecuadas incluyen montantes de estructura de acero, marcos de puertas de acero y vigas de acero estructural.

Placa de montaje multisuperficie (Fig. I, J)

- Para sujetar el nivel láser a un montante de madera **19**, primero atornille la placa de montaje multisuperficie **21** y monte el nivel láser utilizando los imanes del láser **18**.
- Para sujetar el nivel láser a un montante metálico **20**, coloque el montante metálico entre la placa de montaje multisuperficie **21** y los imanes del láser **18**. Colocar la placa de montaje multisuperficie detrás del montante metálico aumentará significativamente la fuerza magnética y la capacidad de sujeción del nivel láser.

MANTENIMIENTO

Su nivel láser ha sido diseñado para funcionar durante un largo período de tiempo con un mínimo de mantenimiento. La operación satisfactoria continua depende del cuidado adecuado de la herramienta y la limpieza regular.



ADVERTENCIA: *Para reducir el riesgo de lesiones personales, apague el nivel láser antes de realizar cualquier ajuste o retirar/instalar conexiones o accesorios. Un arranque accidental puede causar lesiones.*

- Para mantener la precisión de su trabajo, verifique el nivel láser con frecuencia para asegurarse que esté calibrado correctamente. Consulte **Verificación de calibración de campo**.
- Los centros de servicio DEWALT pueden realizar comprobaciones de calibración y otras reparaciones de mantenimiento.
- No guarde su nivel láser en la caja del juego si el nivel láser está húmedo. El nivel láser debe secarse primero con un paño suave y seco antes de guardarlo.
- No la use en la lluvia.

Limpieza



ADVERTENCIA: *Nunca utilice disolventes ni otros productos químicos agresivos para limpiar las piezas no metálicas del nivel láser. Estos productos químicos pueden debilitar los materiales usados en estas partes. Use únicamente un paño humedecido con agua y jabón suave. Nunca permita que entre ningún líquido en el nivel láser ni sumerja ninguna parte del mismo en un líquido.*

Las piezas exteriores de plástico pueden limpiarse con un paño humedecido. Aunque estas partes resistan a los solventes, no utilice NUNCA solventes. Utilice un paño seco y suave para retirar la humedad del nivel láser antes de guardarlo.

SOLUCIÓN DE PROBLEMAS

El nivel láser no se enciende (Fig. A)

- Cargue completamente la batería.
- Si el nivel láser se expone a temperaturas extremadamente frías o calientes, el medidor de batería **10** parpadeará. Consulte **Condición caliente y**

fría. Si el nivel láser ha sido almacenado a temperaturas extremadamente altas, déjelo enfriar. El nivel láser no se dañará presionando el botón de encendido / apagado antes de enfriar a su temperatura de operación adecuada.

Los rayos láser parpadean (Fig. L)

En el modo de pendiente manual, el parpadeo se producirá 3 veces cada 10 segundos, independientemente de la inclinación, para recordarle al usuario que está en el modo de pendiente manual.

En el modo desbloqueo, si la unidad láser está inclinada más de 4 °, la unidad parpadeará cada segundo para indicar que, mientras está en modo de autonivelación, la unidad está demasiado inclinada para autonivelarse correctamente.

LOS RAYOS PARPADEANTES CREADOS POR EL NIVEL LÁSER NO ESTÁN NIVELADOS HORIZONTAL O VERTICALMENTE Y NO DEBEN UTILIZARSE PARA DETERMINAR O MARCAR NIVEL O PLOMADA. Intente reposicionar el nivel láser en una superficie más nivelada.

Si la batería del nivel láser tiene un estado de carga bajo, los rayos parpadearán en un patrón distintivo de 3 destellos rápidos en 1 segundo, seguidos de una salida de luz constante durante 4 segundos. Este patrón de parpadeo indica que se debe recargar la batería.

Los rayos láser no dejan de moverse

El nivel láser es un instrumento de precisión. Por lo tanto, si no se coloca sobre una superficie estable (e inmóvil), el nivel láser seguirá intentando encontrar el nivel. Si el rayo no deja de moverse, intente colocar el nivel láser en una superficie más estable. Además, trate de asegurarse que la superficie sea relativamente plana, de modo que el nivel láser sea estable.

Accesorios (Fig. M)

El nivel láser está equipado con roscas de 1/4"-20 y 5/8"-11 en la parte inferior de la unidad para acomodar accesorios DEWALT actuales o futuros, como un trípode.

La Figura M muestra un ejemplo de accesorios que se venden por separado de estos niveles láser. Utilice

únicamente los accesorios DEWALT especificados para su uso con este producto. Siga las instrucciones incluidas con el accesorio.

Detector Láser (Fig. N)

El detector láser 9 (se vende por separado) permite detectar la línea láser a distancias mucho mayores que el rango visible. Consulte el manual del usuario del detector láser para obtener detalles sobre el uso adecuado.

DW0892 para el láser rojo DCLE14201R.

DW0892G para el láser verde DCLE14201G.



ADVERTENCIA: *Ya que los accesorios, diferentes a los ofrecidos por DEWALT, no se han probado con este producto, el uso de tales accesorios con este nivel láser podría ser peligroso. Para reducir el riesgo de lesiones, sólo se deben usar accesorios recomendados por DEWALT con este producto.*

Si necesita ayuda para localizar algún accesorio, comuníquese con su distribuidor DEWALT más cercano o visite www.DEWALT.com.

Servicio y reparaciones

NOTA: Desensamblar el nivel láser anulará todas las garantías del producto.

Los centros de servicio DEWALT pueden reemplazar la batería.

Para garantizar la SEGURIDAD y CONFIABILIDAD del producto, las reparaciones, mantenimiento y ajustes deben ser realizados por un centro de servicio autorizado. El servicio o mantenimiento realizado por personal no calificado puede ocasionar lesiones. Para localizar el centro de servicio DEWALT más cercano, visite www.toolservicenet.com.

Divulgación de Quebec

No garantizamos la disponibilidad de partes de repuesto, servicios de reparación ni la información necesaria para mantener o reparar productos sujetos a la Ley de Protección al Consumidor de Quebec, modificada por el Proyecto de Ley 29.

Garantía


Visite www.DEWALT.com respecto a la información de garantía más reciente.

Eliminación de baterías al final de su vida útil

Este producto contiene celdas internas recargables y reciclables de iones de litio. Cuando el producto ya no se pueda utilizar o las baterías ya no retengan carga, deben reciclarse. No se deben incinerar, convertir en abono, tirar a la basura ni colocar en un sólo flujo de reciclaje en la acera. En algunas áreas, es ilegal tirar baterías recargables a la basura.

- Consulte con su municipio local para obtener instrucciones de eliminación adecuadas para su ciudad/pueblo.
- O visite www.TerraCycle.com y busque “DEWALT” para encontrar nuestro programa de reciclaje.
- O visite www.toolservicenet.com, **Encuentre el centro de servicio más cercano** para encontrar un centro cerca de usted.
- O visite www.dewalt.com/support.

Especificaciones

| | DCLE14201G, DCLE14201R |
|--|---|
| Fuente de luz | Diodos láser |
| Longitud de onda láser | Verde: 510 nm–530 nm visible, Rojo: 630 nm–690 nm visible |
| Potencia de láser | 2,0 mW (verde), 1,5mW (rojo) PRODUCTO LÁSER CLASE 2 |
| Rango de trabajo | Verde: 45 m (150'), Rojo: 30 m (100') Verde 100 m (330') con detector (se vende por separado). Rojo 50 m (165') (se vende por separado) |
| Precisión (Plomada) | ±3,1 mm cada 9 m (±1/8" cada 30') |
| Precisión (Nivel) | ±3,1 mm cada 9 m (±1/8" cada 30') |
| Batería baja | 3 LEDs parpadeando en el medidor de batería |
| Rayos láser parpadeantes | 3 veces cada 10 segundos en modo de inclinación manual, Continuamente en modo de nivelación automática |
| Fuente de energía | Batería de ion de litio integral o Red eléctrica CA |
| Entrada USB | 5–20V, <= 3.0 A |
| Entrada de adaptador eléctrico de red eléctrica CA | 100–240V _{CA} , 50/60Hz, 1.0A |
| Temperatura de operación | 0 °C a 50 °C (32 °F a 122 °F) |
| Temperatura de carga | 4 °C a 40 °C (39 °F a 104 °F) |
| Temperatura de almacenamiento | -20 °C a 60 °C (-5 °F a 140 °F) |
| Humedad | Humedad relativa máxima 80% para temperaturas hasta 31 °C (88 °F), disminuyendo linealmente a humedad relativa de 50% a 40 °C (104 °F) |
| Ambiental | Resistente a agua y polvo conforme a IP54.  ADVERTENCIA: Este producto tiene una clasificación IP que proporciona cierto nivel de protección contra polvo (ingreso limitado) y líquidos (salpicadura ligera) durante el uso normal u razonablemente previsible. El control remoto tiene una clasificación IP de IP54. NUNCA sumerja el láser, el cable USB, el suministro de energía o el control remoto en líquido. |
| Altitud | 2000 m (< 6500') |

DEWALT Industrial Tool Co., 701 East Joppa Road, Towson, MD 21286
Copyright © 2024, 2025

The following are trademarks for one or more DEWALT power tools: the yellow and black color scheme, the “D” shaped air intake grill, the array of pyramids on the handgrip, the kit box configuration, and the array of lozenge-shaped humps on the surface of the tool.